

ROCORE[®]

AFTERMARKET ALUMINUM PRODUCTS



Highest Quality Products at Competitive Prices

CALL TODAY! **800-645-2665** EXT 1336 / 1335

www.ROCORE.com

ROCORE[®]

Rocore manufactures a variety of heat exchangers worldwide.

OVER 11 MILLION UNITS PRODUCED

KEY MARKETS

- INDUSTRIAL
- CONSTRUCTION
- AGRICULTURAL
- COMPRESSORS
- POWER GEN
- MILITARY

PRODUCTS

- CHARGE AIR COOLERS
- OIL COOLERS
- RADIATORS



New High Pressure 4.25" oil coolers

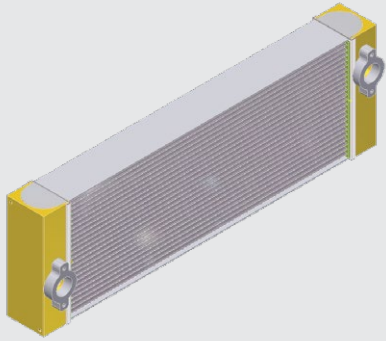
Core Size	Max Pressure
1.06	350 psi
2.25	350 psi
2.62	150 psi
3.25	250 psi
4.25	400 psi

Thick Wall Heavy Duty extruded aluminum tubing to withstand the harshest environments

Heavy duty ruffled air fins for added strength and easy cleaning

Fin Widths	Fin Per Inch
• 1.06	• 6fpi-Ruffled
• 2.25	• 7fpi-Louvered
• 2.62	• 8fpi-Ruffled
• 3.25	• 9fpi-Louvered
• 4.25	• 11fpi-Ruffled
	• 12fpi-Louvered

www.ROCORE.com



Atlas Copco
Oil Cooler

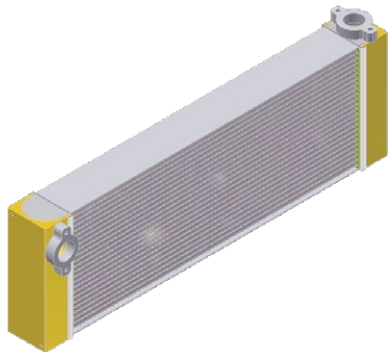
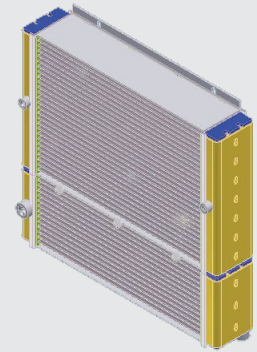
1614-8239-00

Rocore : 11-7453

Atlas Copco
Oil Cooler

1622-0109-0000

Rocore : 11-7143



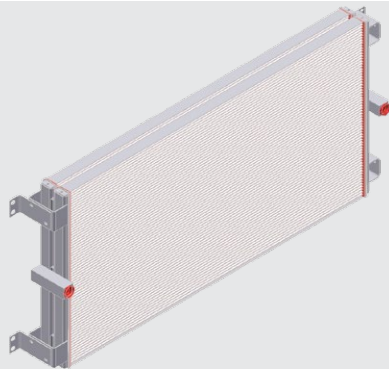
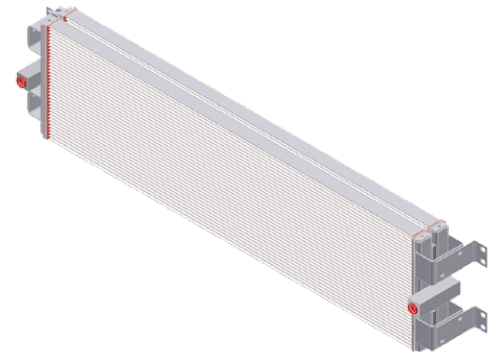
Atlas Copco
Oil Cooler

1614-8240-00

Rocore : 11-7138

Atlas Copco
Oil Cooler
LMC 600 Drill
57524316

Rocore : 11-7040

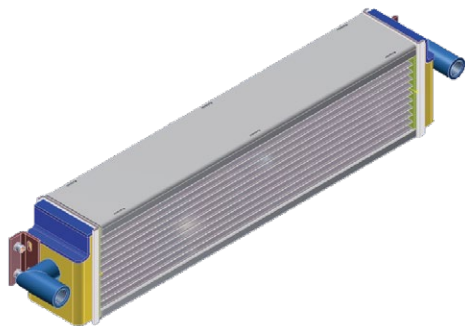
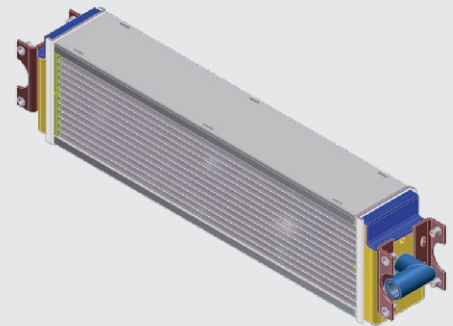


Atlas Copco
Oil Cooler
LMC 600 Drill
57524266

Rocore : 11-7078

Case
Oil Cooler
1150 G Dozer
N14807 3A37666

Rocore : 11-7669

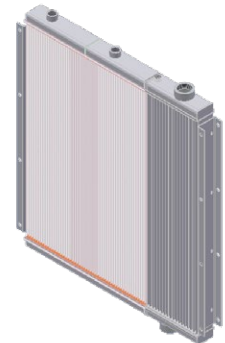


Case
Oil Cooler
850 K Series
87433258

Rocore : 11-7493

Curtis
Combo Cooler
Compressor
RN32230

Rocore : 11-7583

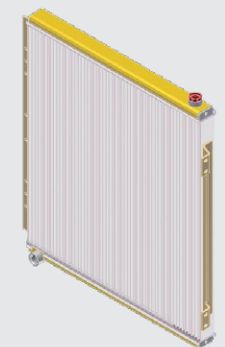


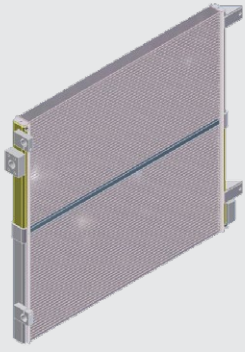
Cat
Oil Cooler
225 - 235 Series
7E5795

Rocore : 11-3269

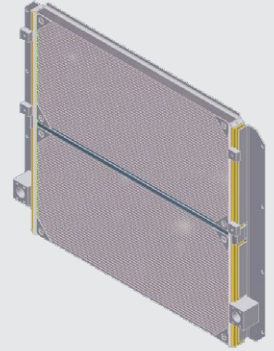
Cat
Oil Cooler
235 Series
104-7366

Rocore : 11-3646

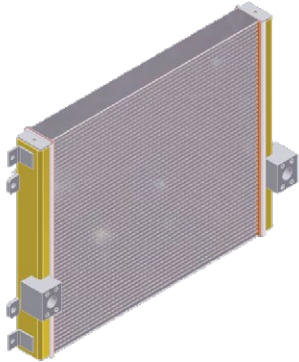




Cat
 Oil Cooler
 245 B Series
 105-8052
 Rocore : 11-3652

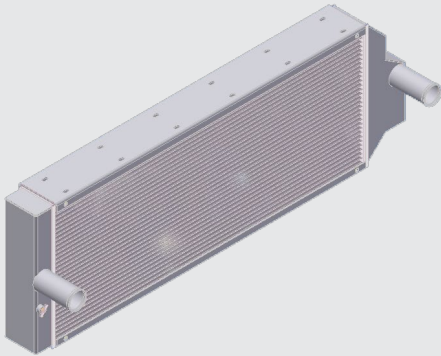
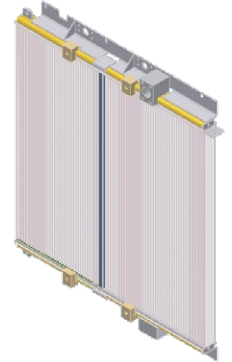


Cat
 Oil Cooler
 375 Excavator
 142-8193
 Rocore : 11-4384



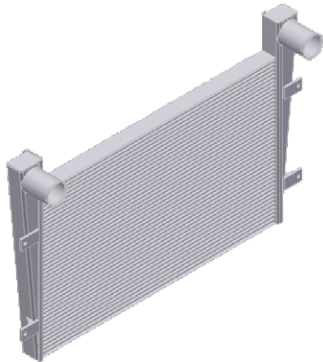
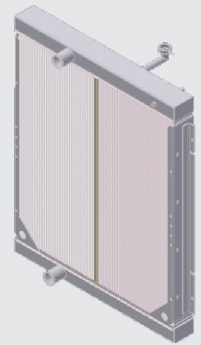
Cat
 Oil Cooler
 325 C Excavator
 205-4962
 Rocore : 11-5059

Cat
 Oil Cooler
 345 B Material Handler
 149-7704
 Rocore : 11-4571



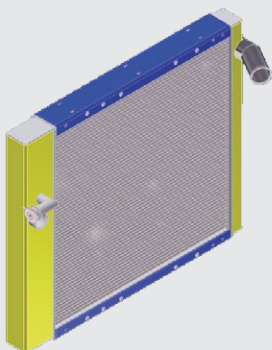
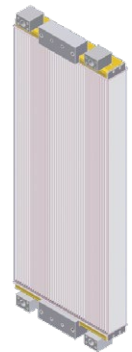
Cat
 Radiator
 345 Excavator
 230-2966
 Rocore : 11-7539

Cat
 Radiator
 RS-5354
 Rocore : 11-7160



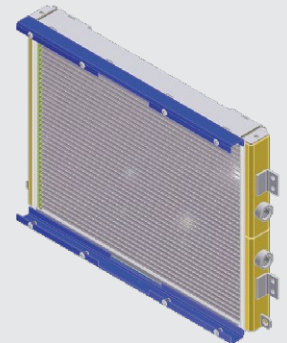
Cat
 Charged Air Cooler
 345 Excavator
 230-2967
 Rocore : 11-7542

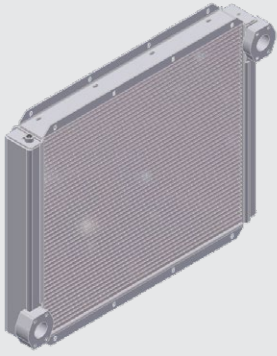
Cat
 Oil Cooler
 D10 Dozer
 2W2489
 Rocore : 11-7222



Cat
 Radiator
 Road Grader
 8N0073
 Rocore : 11-7552

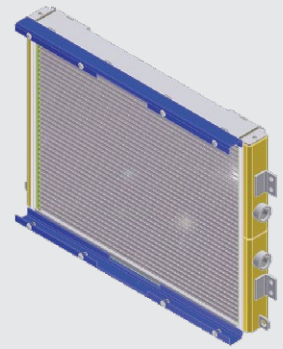
Cat
 Oil Cooler
 939C Track Loader
 116-6562
 Rocore : 11-7553





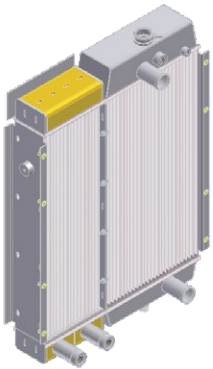
Cat
Radiator
ILLE070-5V

Rocore : 11-7579



Cat
Oil Cooler
D3-6 Dozer
116-6562

Rocore : 11-7553



Cat
Radiator/ Oil Cooler
D5G
228-8961 317-4354

Rocore : 11-7663



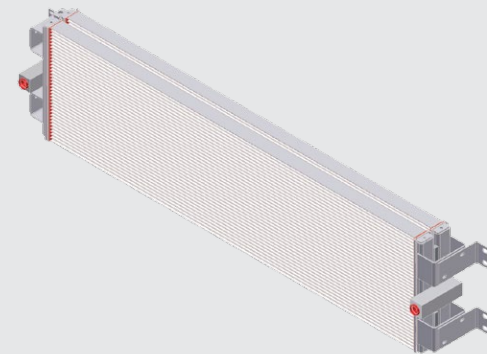
Drill Tech
Cooler

Rocore : 11-3264



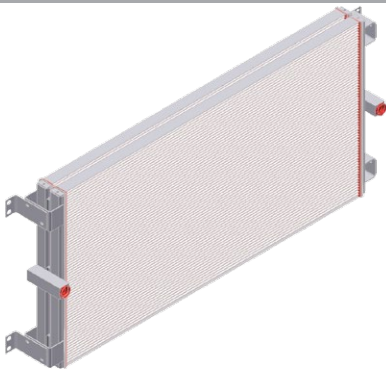
Drill Tech
Cooler

Rocore : 11-3010



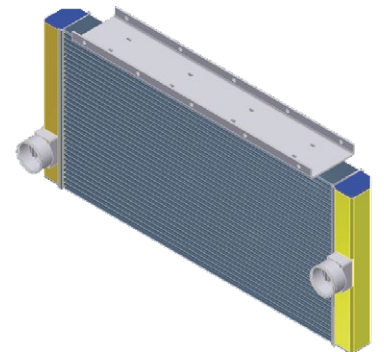
Drill Tech
Cooler
57524316

Rocore : 11-7040



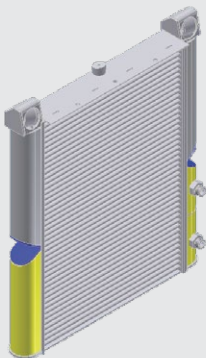
Drill Tech
Cooler
57524266

Rocore : 11-7078



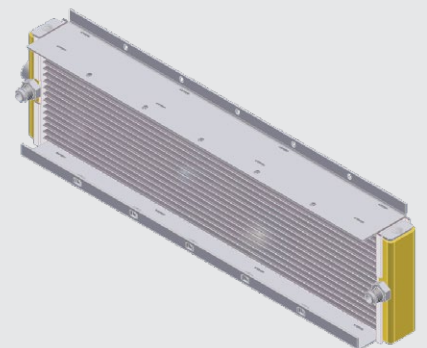
Elgin Sweeper
Charged Air Cooler
Sweeper Truck
RS-5708

Rocore : 11-7181



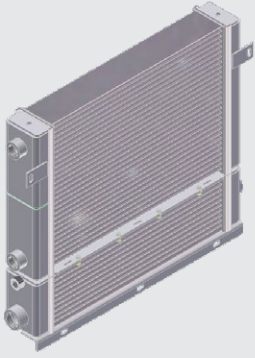
Ford New Holland
CAC / Oil Cooler
8974 Tractor
9860029

Rocore : 11-3659



Gallion
Oil Cooler
T-600B Grader
D-121440

Rocore : 11-2162



Gardner Denver
Combo Cooler

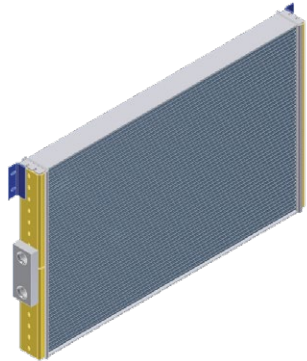
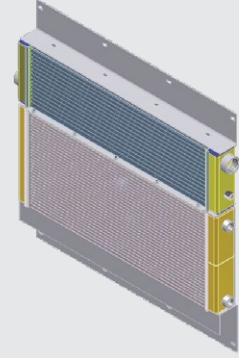
202-EDE-201

Rocore : 11-7011

Gardner Denver
Combo Cooler

205-ECM-201

Rocore : 11-7029



Gardner Denver
Oil Cooler

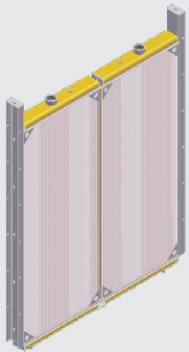
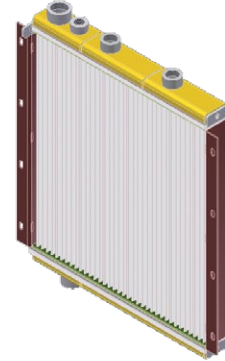
202-EAU-201

Rocore : 11-7401

Gardner Denver
Combo Cooler

202-EBE-201

Rocore : 11-7034



Gardner Denver
Oil Cooler

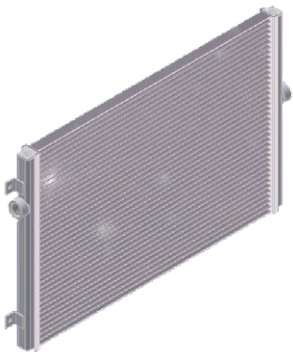
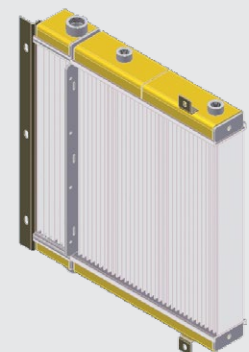
210-9560

Rocore : 11-7245

Gardner Denver
Combo Cooler

206-EDE-201

Rocore : 11-7123

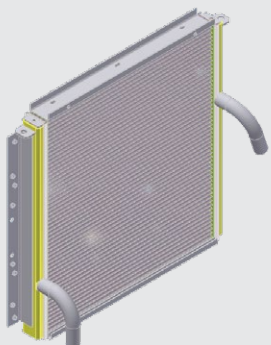
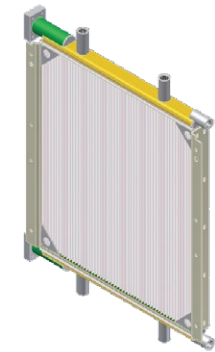


GTI
Oil Cooler
50 HP Compressor
3578 / OC

Rocore : 11-7624

Hitachi
Fuel Cooler
EX5500-5 / 4432703
1389-603-1000

Rocore : 11-7307

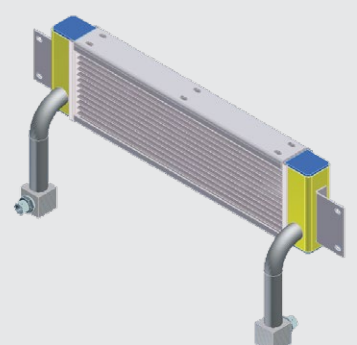


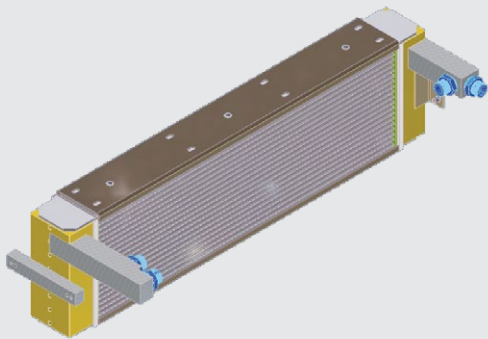
Hitachi
Oil Cooler
200 Excavator
E4208651

Rocore : 11-7587

Hyundai
Oil Cooler
HL740-TM7 Loader
21302540

Rocore : 11-7334





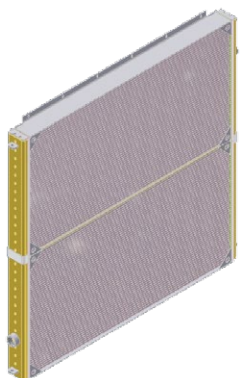
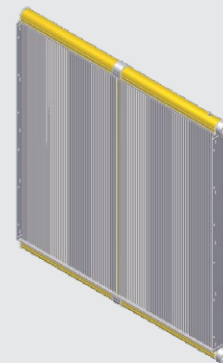
Hyundai
Oil Cooler
HL740-TM7 Loader
11LF-30042

Rocore : 11-7335

IngersollRand
Air Cooler

39426887

Rocore : 11-2731



IngersollRand

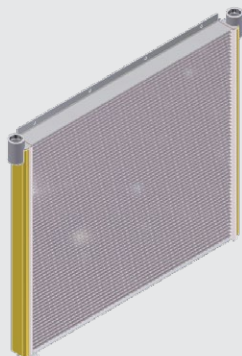
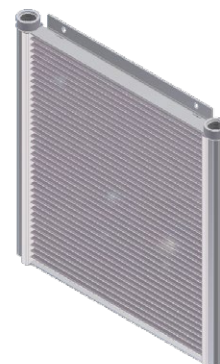
39746912

Rocore : 11-3154

IngersollRand

Air Cooler
After Cooler
39789185

Rocore : 11-3236



IngersollRand

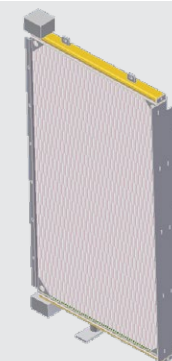
Oil Cooler
39749320

Rocore : 11-3350

IngersollRand

Oil Cooler
900 CFM Compressor
36766103

Rocore : 11-3243



IngersollRand

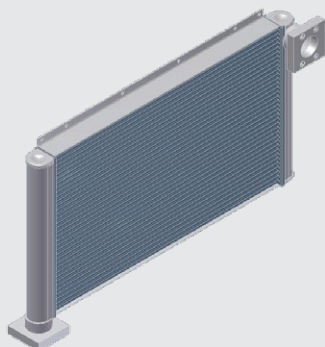
Oil Cooler
250 / 300 HP Compressor
39801725M / 7-1E4268

Rocore : 11-3380

IngersollRand

Oil Cooler
200 HP Compressor
39797592M

Rocore : 11-3324



IngersollRand

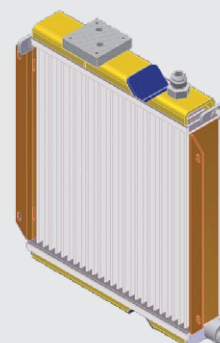
Air Cooler
39924055 / 1E3325

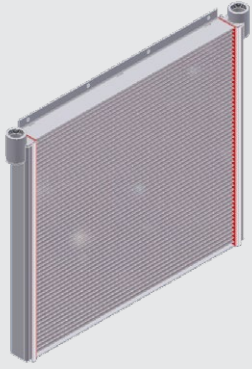
Rocore : 11-7045

IngersollRand

Oil / Air Cooler
39817747

Rocore : 11-3537





IngersollRand
Oil Cooler

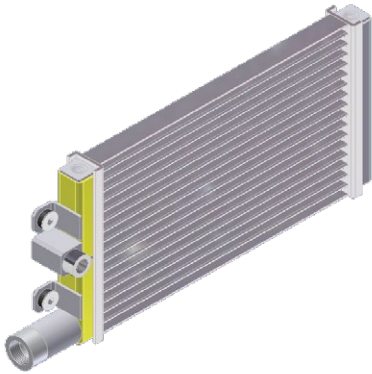
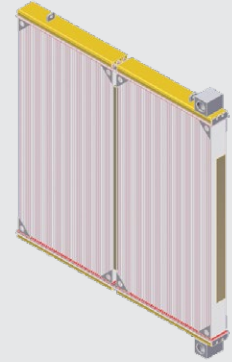
39749312 / 1E2826

Rocore : 11-7047

IngersollRand
Oil Cooler

22230676 / 1E3382

Rocore : 11-7054



IngersollRand

Air Cooler
15 - 20 HP
39757034

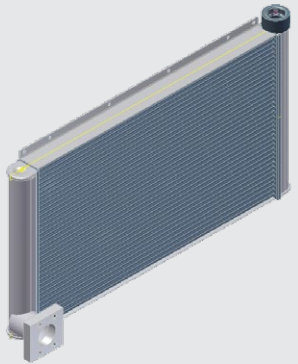
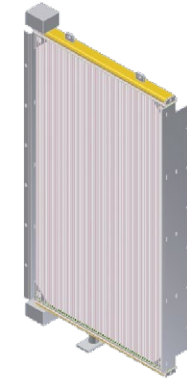
Rocore : 11-7139

IngersollRand

Oil Cooler

36882561 / 1E3243

Rocore : 11-7159



IngersollRand

Air Cooler
150 HP Compressor
54365945

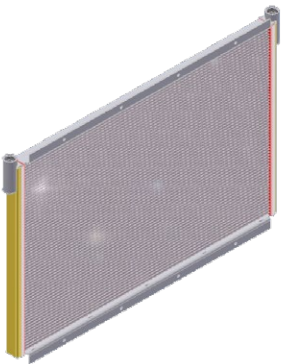
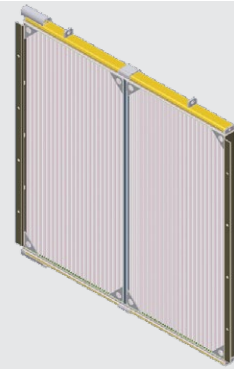
Rocore : 11-7403

IngersollRand

Oil Cooler

200 HP Compressor
39878392 / 71E4269

Rocore : 11-7205



IngersollRand

Oil Cooler
Stage 2 Compressor
39919394

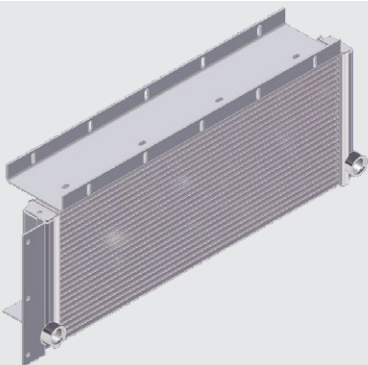
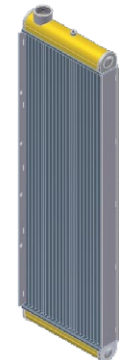
Rocore : 11-7519

IngersollRand

Air Cooler

39786421

Rocore : 11-7302



IngersollRand

Oil Cooler
3344 Boring Machine
37627

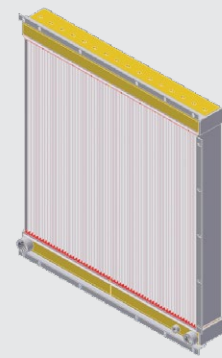
Rocore : 11-7527

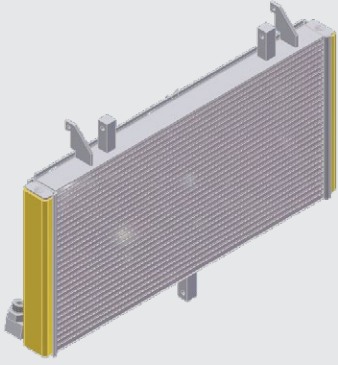
IngersollRand

Oil Cooler

ECM 370 RockDrill
39749338

Rocore : 11-7526





IngersollRand

Oil Cooler

86983626 / 1E5483

Rocore : 11-7538

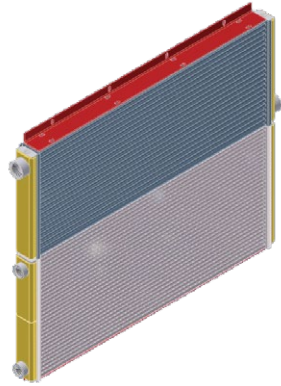
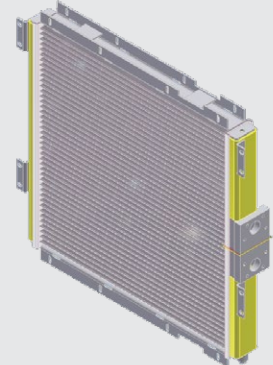
IngersollRand

Oil Cooler

Compressor

36760809

Rocore : 11-7549



IngersollRand

Combo Cooler

39893003

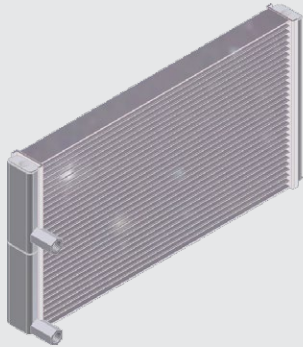
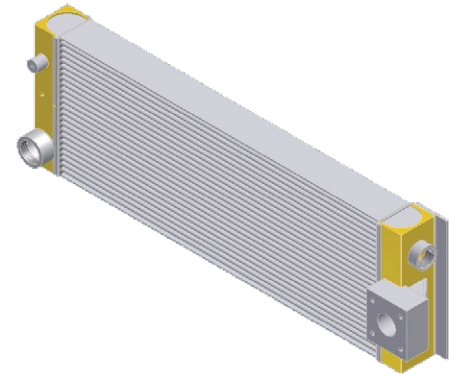
Rocore : 11-7584

IngersollRand

Air Cooler

39893169

Rocore : 11-7604



IngersollRand

Oil Cooler

36776532

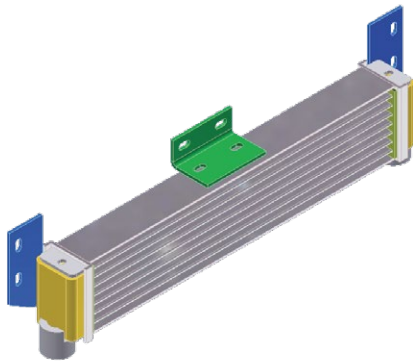
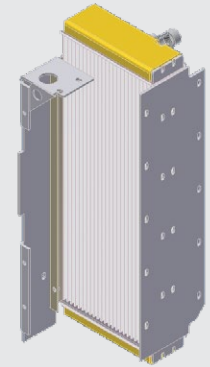
Rocore : 11-7638

John Deere

Oil Cooler

AT80349

Rocore : 11-2949



John Deere

Oil Cooler

44D Series

AT81830

Rocore : 11-2965

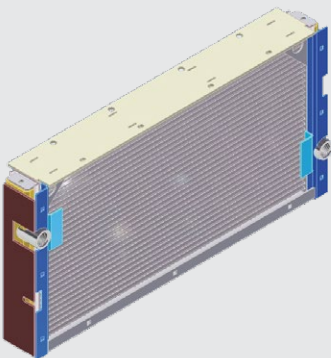
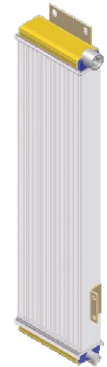
John Deere

Oil Cooler

4XH & 4XW Grader

AT62633

Rocore : 11-2096



John Deere

Oil Cooler

690C Excavator

AT78019

Rocore : 11-2907

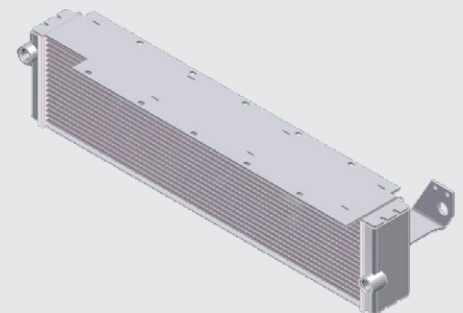
John Deere

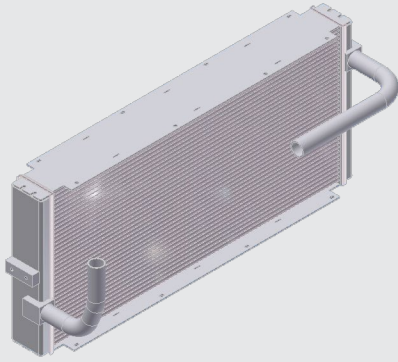
Oil Cooler

655 / 755 A Rock Crawler

AT71941

Rocore : 11-2463



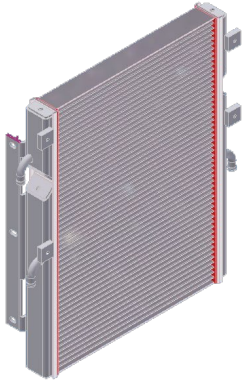
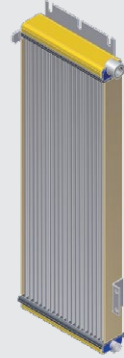


John Deere
Oil Cooler
330 LC Excavator
AT180598

Rocore : 11-4549

John Deere
Oil Cooler
700A / 781J Grader
DP28177

Rocore : 11-3238

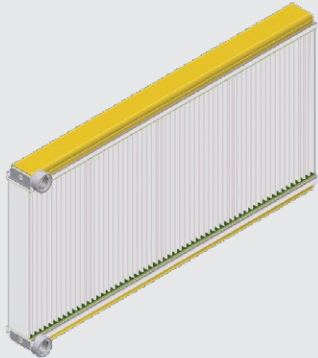
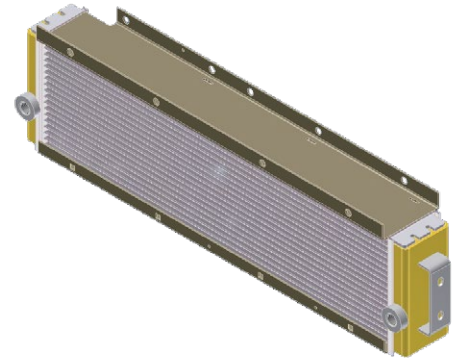


John Deere
Oil Cooler
310 Loader Backhoe Series
AT186949

Rocore : 11-4847

John Deere
Oil Cooler
50H Crawler Series
AT211493

Rocore : 11-4668

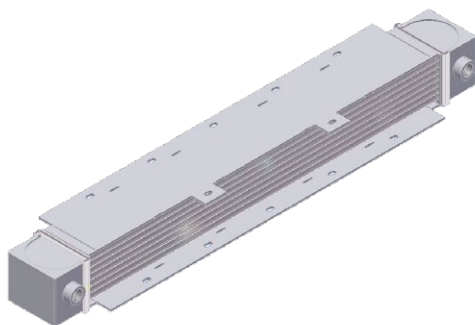
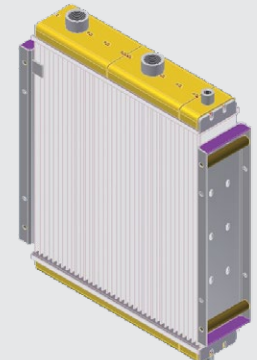


John Deere
Oil Cooler
470 Sprayer
AN203146

Rocore : 11-7495

John Deere
Oil Cooler
1E5496

Rocore : 11-7377

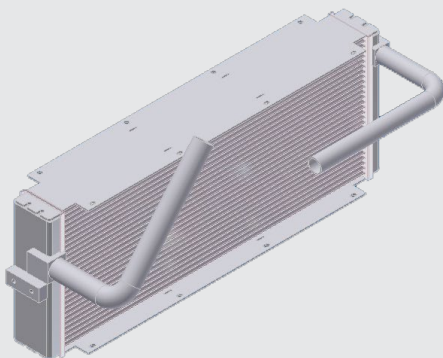
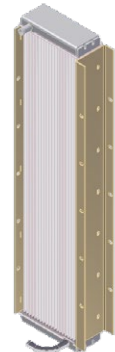


John Deere
Oil Cooler
Skidder
AT306677

Rocore : 11-7530

John Deere
Oil Cooler
744 Loader
AT321944

Rocore : 11-7378

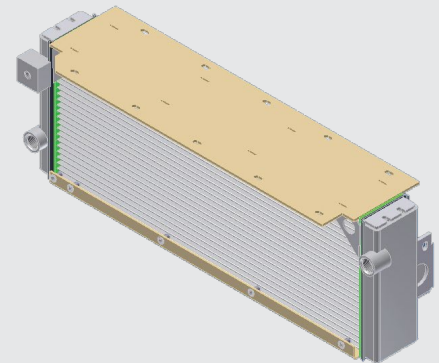


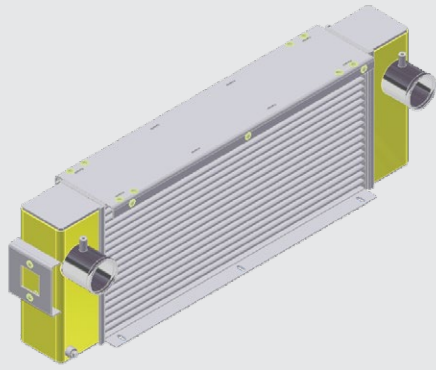
John Deere
Air Cooler
230 / 270LC Excavator
AT17694811 - 4355

Rocore : 11-4355

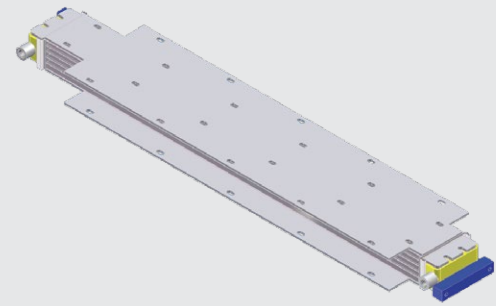
John Deere
Oil Cooler
790D Excavator
AT131454

Rocore : 11-3487

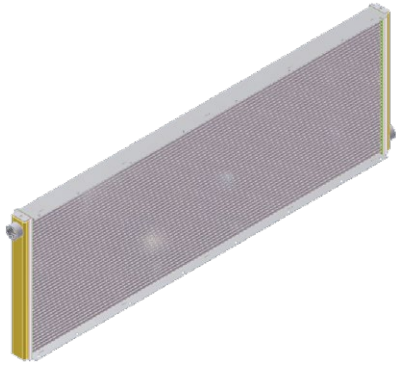




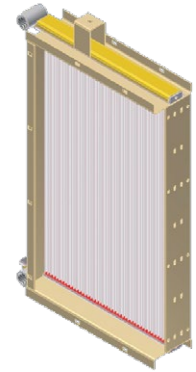
John Deere
Air Cooler
RE529831
Rocore : 11-7567



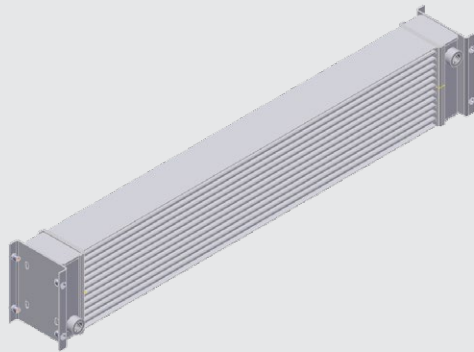
John Deere
Oil Cooler
AT197113
Rocore : 11-7548



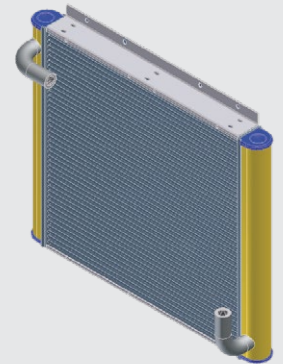
Joy MFG
Oil Cooler
Compressor
543305-011
Rocore : 11-2752



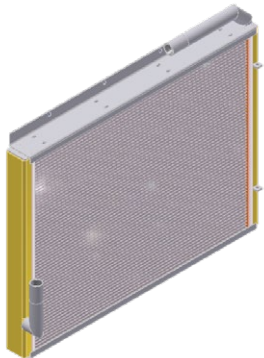
Joy MFG
Oil Cooler
Compressor
00543305-0124
Rocore : 11-7277



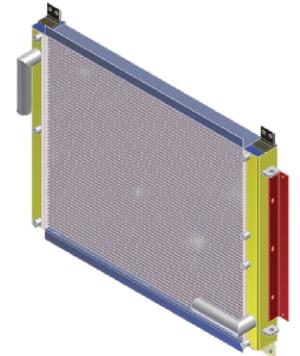
Kawasaki
Radiator
ZX 90
328167
Rocore : 11-7607



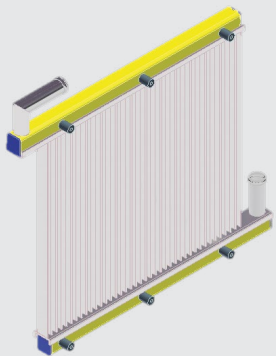
Kobelco
Oil Cooler
SK07N2
Rocore : 11-7081



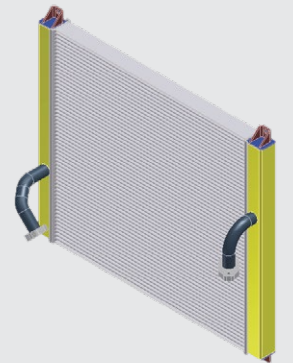
Kobelco
Oil Cooler
SK07N2
Rocore : 11-7116



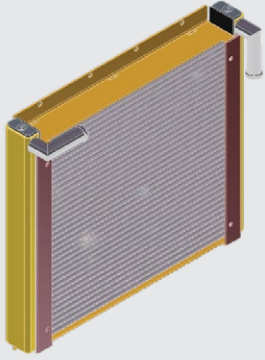
Kobelco
Oil Cooler
SK07N2
Rocore : 11-7329



Kobelco
Oil Cooler
SK200-6
Rocore : 11-7338



Kobelco
Oil Cooler
SK07N2
Rocore : 11-7342

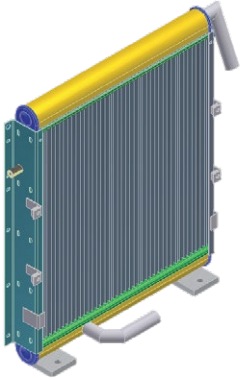
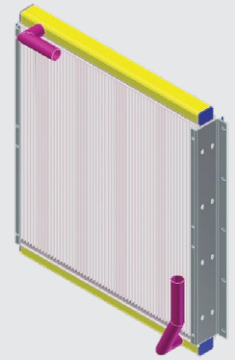


Kobelco
Oil Cooler

Rocore : 11-7352

Kobelco
Oil Cooler
909 Excavator
LC05PU00025002

Rocore : 11-7418



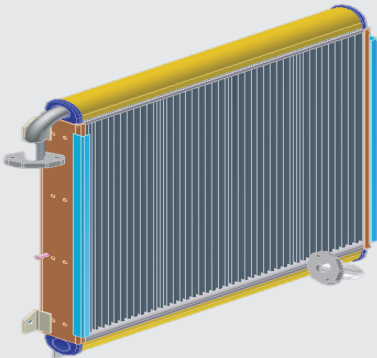
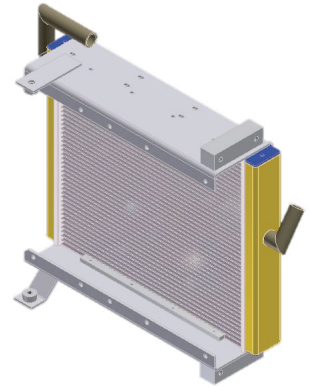
Kobelco
Oil Cooler

SK200-6

Rocore : 11-7427

Kobelco
Oil Cooler

Rocore : 11-7436

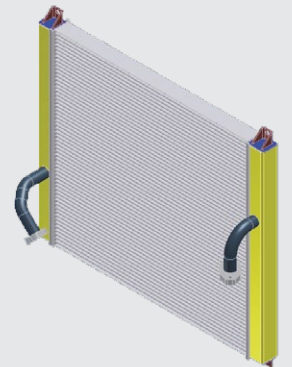


Kobelco
Oil Cooler

Rocore : 11-7451

Komatsu
Oil Cooler
PC 200 Series
206-03-51121

Rocore : 11-7342

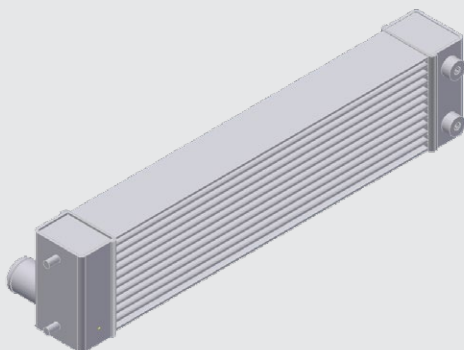
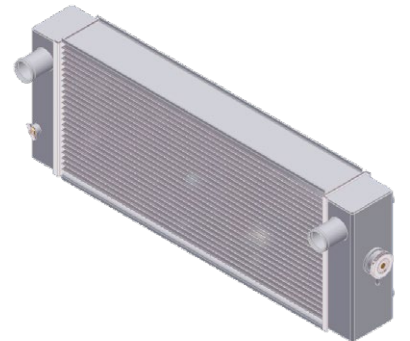


Komatsu
Radiator
WA200PZ-6 Wheel Loader
418-03-41110

Rocore : 11-7532

Komatsu
Air Cooler
WA200PZ-6 Wheel Loader
418-03-41130

Rocore : 11-7531

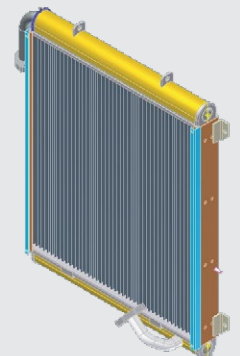


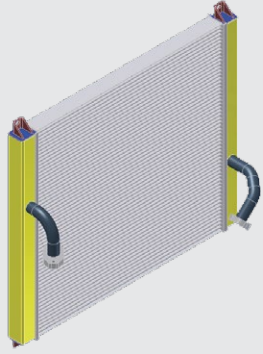
Komatsu
Oil Cooler
WA200PZ-6 Wheel Loader
418-03-41121

Rocore : 11-7534

Komatsu
Oil Cooler
PC 200 Series
20Y-03-21121

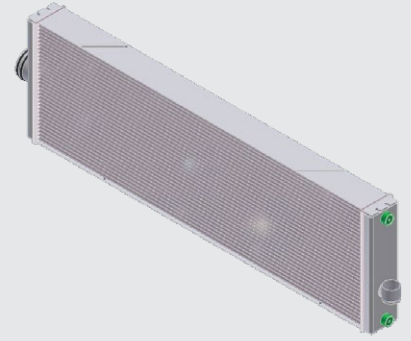
Rocore : 11-7451





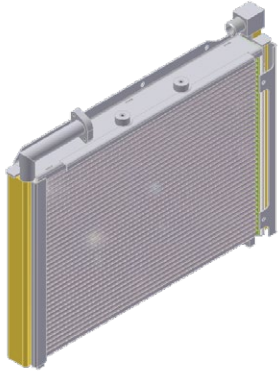
Komatsu
Oil Cooler
PC 200 Series
206-03-51121

Rocore : 11-7342



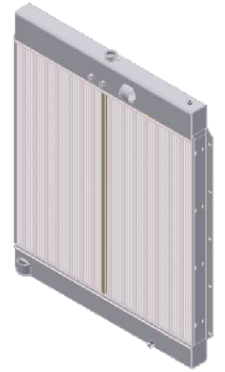
Komatsu
Radiator
D375A-5EO
195-03-63113

Rocore : 11-7105



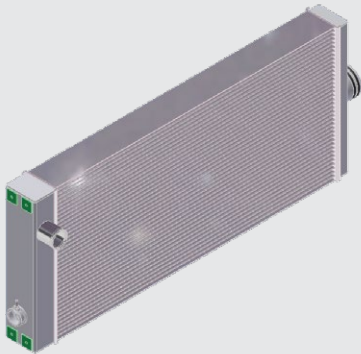
Komatsu
Oil Cooler
PC128UU
21Y-03-11111

Rocore : 11-7544



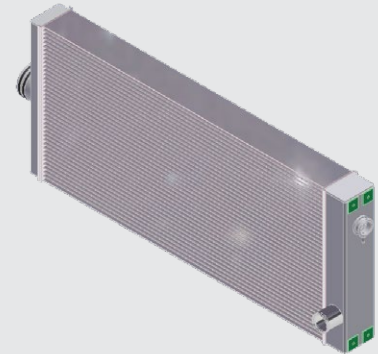
Komatsu
Radiator
20A-00499-S

Rocore : 11-7547



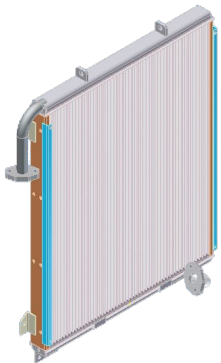
Komatsu
Radiator
WA500-6 Modular
425-03-32221

Rocore : 11-7590



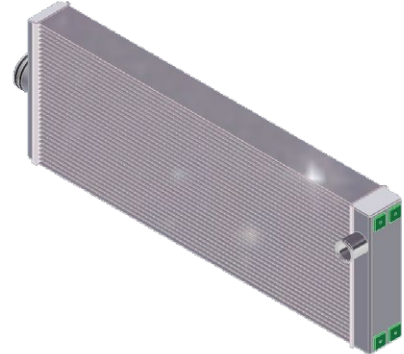
Komatsu
Radiator
WA500-6 Modular
425-03-32211

Rocore : 11-7591



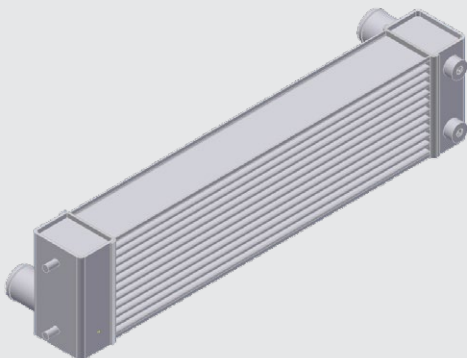
Komatsu
Oil Cooler
PC 350
052-0-5079-0000729

Rocore : 11-7618



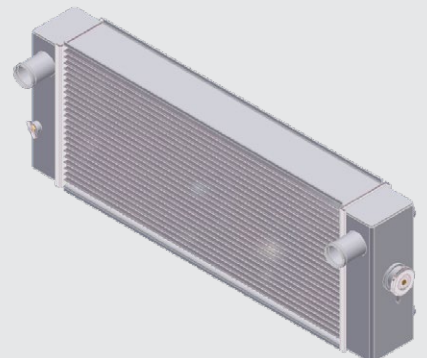
Komatsu
Radiator
H-7 Haul Truck
569-03-89112

Rocore : 11-7628



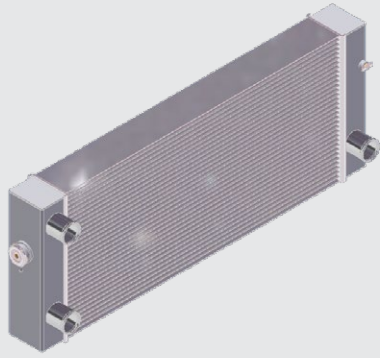
Komatsu
Air Cooler
WA320-5 Loader
419-03-31132

Rocore : 11-7632



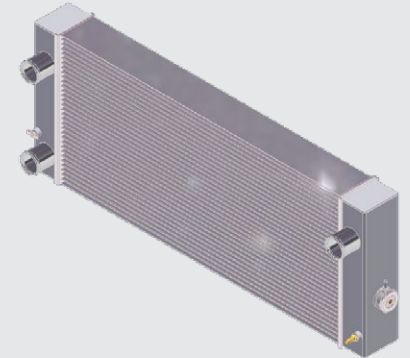
Komatsu
Radiator
WA320-5 Loader
419-03-31114

Rocore : 11-7633



Komatsu
Radiator
HM33-2 Haul Truck
56D-03-21211

Rocore : 11-7645



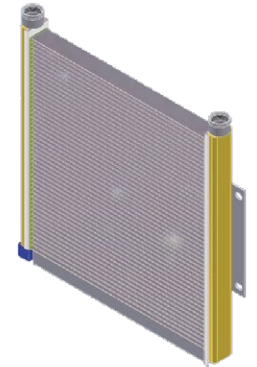
Komatsu
Radiator
HM-300-2 Haul Truck
56D-03-21221

Rocore : 11-7646



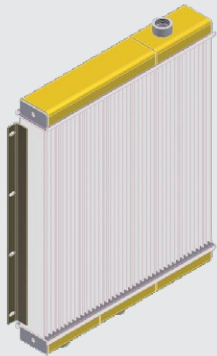
Komatsu
Radiator
WA600-6 Modular
426-03-37550

Rocore : 11-7665



Prentice
Oil Cooler
384 Log Loader
10042026

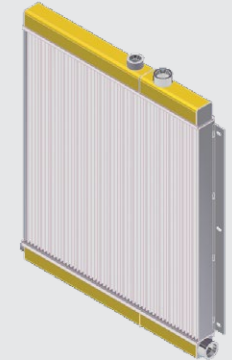
Rocore : 11-7257



Quincy
Oil Cooler

629-0010

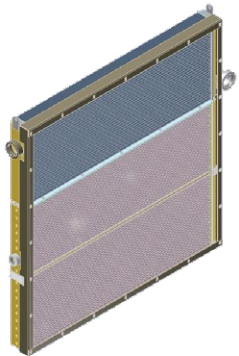
Rocore : 11-7104



Quincy
Oil Cooler

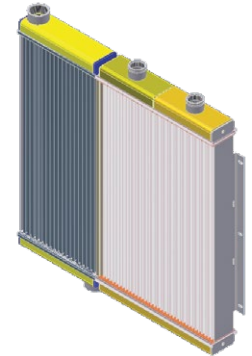
129-067-1

Rocore : 11-7171



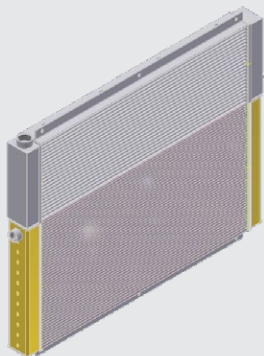
Quincy
Air Cooler
Qsi 1500
629-0033

Rocore : 11-7180



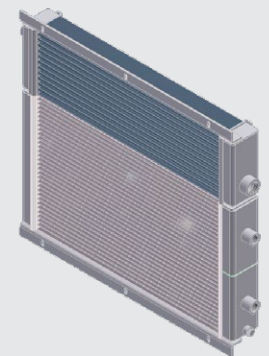
Quincy
Combo Cooler
Compressor
129135

Rocore : 11-7473



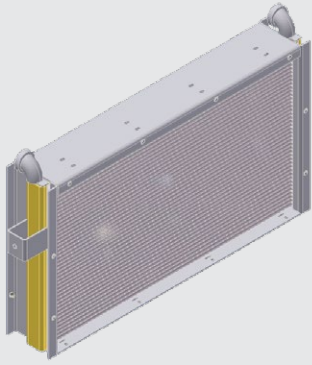
Quincy
Combo Cooler
750
629-0022-S1-129190

Rocore : 11-7575



Leroi
Combo Cooler
50 HP Compressor
71-1088 / 625-0032

Rocore : 11-7626

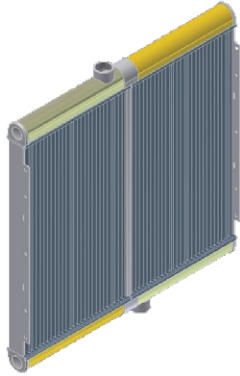
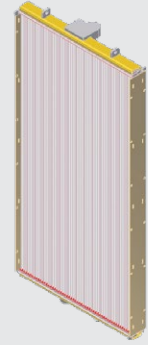


Joy MFG
Oil Cooler
75 - 100 HP Compressor
543305-0092

Rocore : 11-7667

SullAir
Oil Cooler
1500 CFM Compressor
41772

Rocore : 11-1899

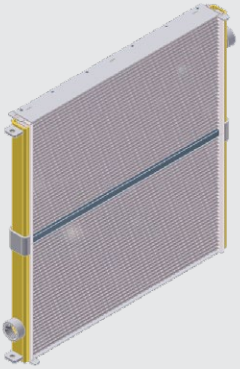
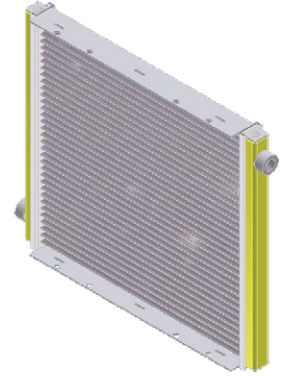


SullAir
Air Cooler
650 CFM Compressor
40920

Rocore : 11-2145

SullAir
Oil Cooler
25 & 30 HP Compressor
407106

Rocore : 11-2688

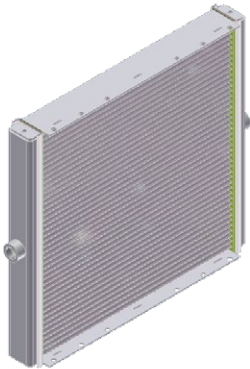
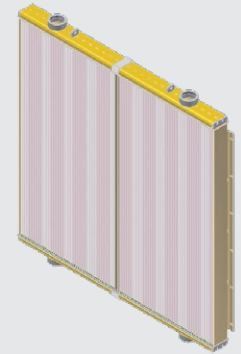


SullAir
Oil Cooler
Compressor
41001

Rocore : 11-2705

SullAir
Oil Cooler
Compressor
250007-856

Rocore : 11-2995

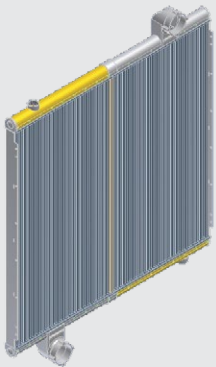
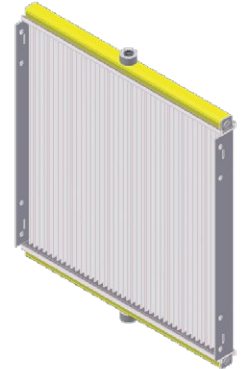


SullAir
Oil Cooler
250021-728

Rocore : 11-3138

SullAir
Oil Cooler
250034-894

Rocore : 11-3215

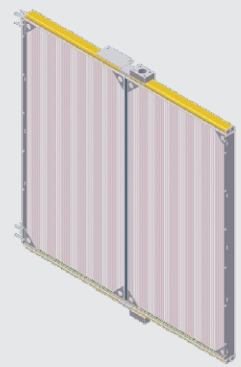


SullAir
Air Cooler
Compressor
250015-914

Rocore : 11-3216

SullAir
Oil Cooler
350 PSI Compressor
02250051-164

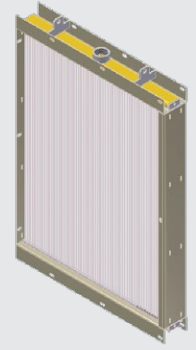
Rocore : 11-3685





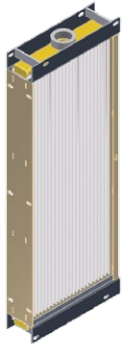
SullAir
 Combo Cooler
 100 HP Compressor
 02250162-368

Rocore : 11-7118



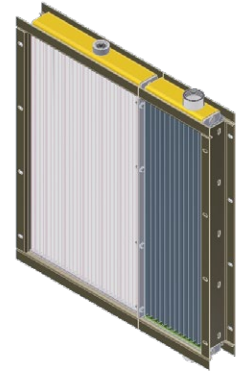
SullAir
 Oil Cooler
 Compressor
 250022-529

Rocore : 11-7188



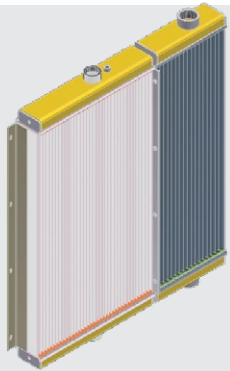
SullAir
 Air Cooler
 Compressor
 250022-529

Rocore : 11-7189



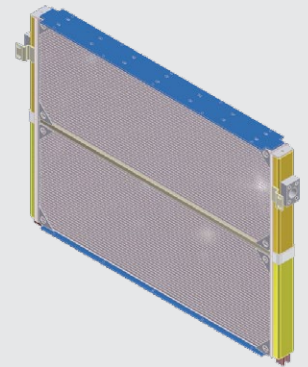
SullAir
 Air Cooler
 Compressor
 02250096-705

Rocore : 11-7240



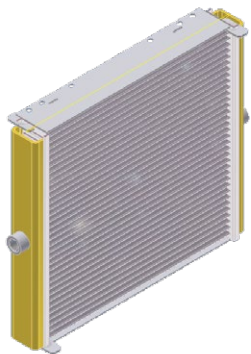
SullAir
 Combo Cooler
 02250053-915

Rocore : 11-7254



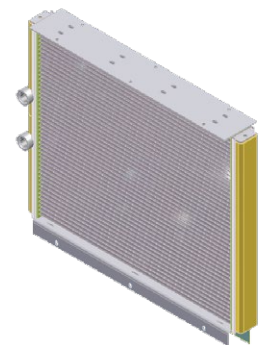
SullAir
 Oil Cooler
 900 / 1150 XH
 02250166-257

Rocore : 11-7391



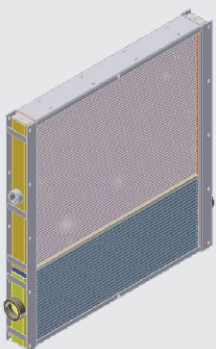
SullAir
 Oil Cooler
 150 - 175 CFM Compressor
 44531

Rocore : 11-7416



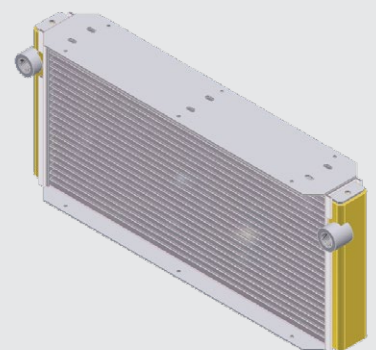
SullAir
 Oil Cooler
 Compressor
 02250114-935

Rocore : 11-7433



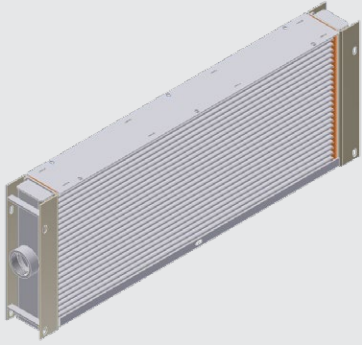
SullAir
 Combo Cooler
 Compressor
 260012-525

Rocore : 11-7474



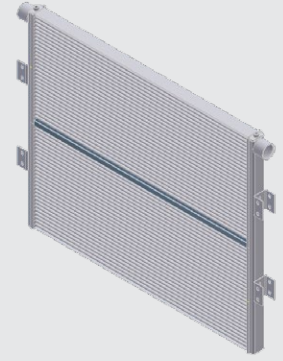
SullAir
 Oil Cooler
 W065513
 02250139-761

Rocore : 11-7561



SullAir
Air Cooler
Compressor
250022-529

Rocore : 11-7565



SullAir
Air Cooler
Compressor
02250141-940

Rocore : 11-7634



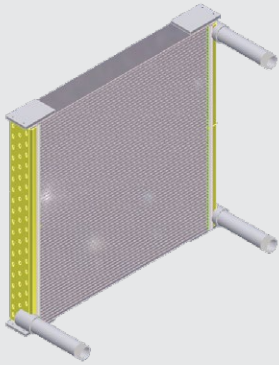
SullAir
Combo Cooler
25 HP Compressor
250001-662

Rocore : 11-7674



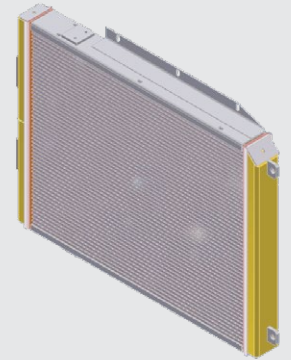
SullAir
Combo Cooler
02250145-556

Rocore : 11-7692



TTP
Oil Cooler
AOVH-40

Rocore : 11-7559



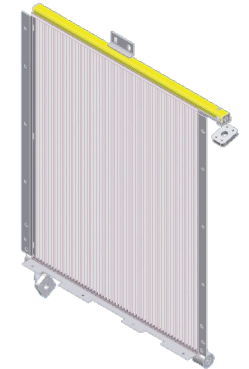
Toyo Radiators
Oil Cooler
066815202

Rocore : 11-7158



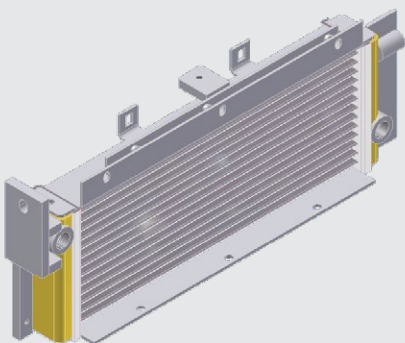
Okuma
CNC Spindle
CAP-10007

Rocore : 11-7528



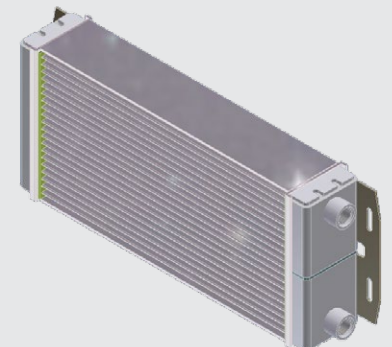
Volvo
Oil Cooler
4776470

Rocore : 11-2507



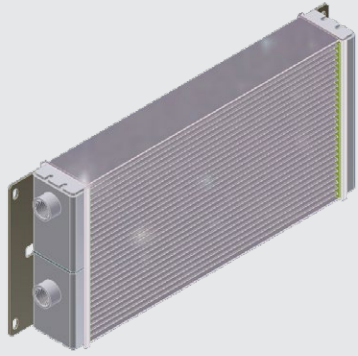
Volvo
Oil Cooler
14526814

Rocore : 11-7006



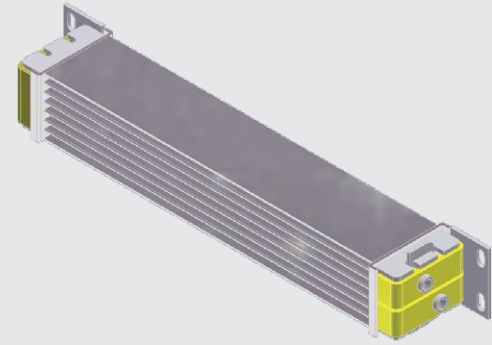
Volvo
Cooler
Grader
12726412

Rocore : 11-7361



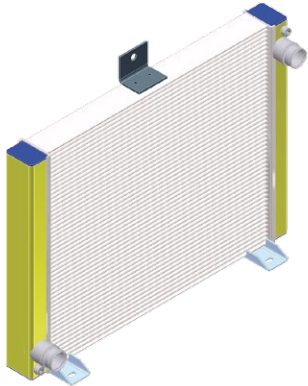
Volvo
Cooler
Grader
12726414

Rocore : 11-7362



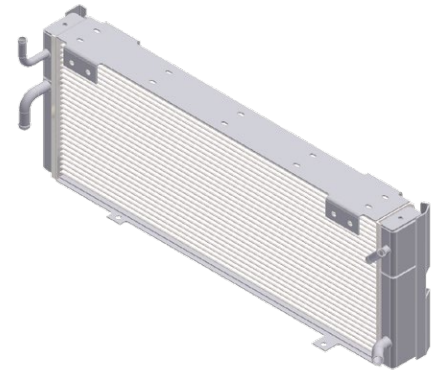
Volvo
Oil Cooler
Grader
12726407

Rocore : 11-7419



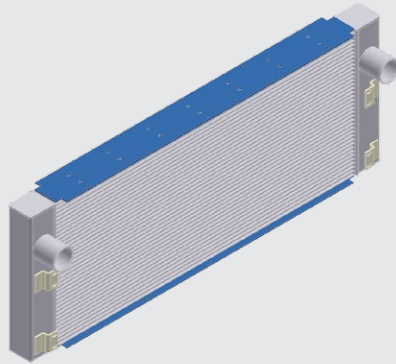
Volvo
Cooler
Grader
12726381

Rocore : 11-7420



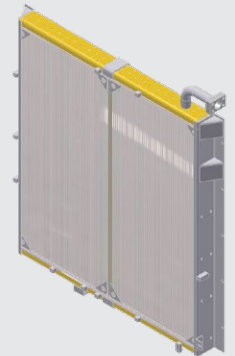
John Deere
Cooler
644H Loader
AT210641

Rocore : 11-7697



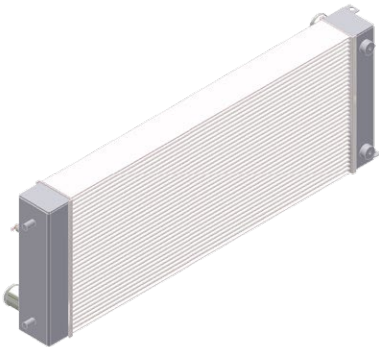
SullAir
Cooler
900 / 1150 XH
OEM0225124-822

Rocore : 11-7729



Komatsu
Cooler
PC1250 LC
21N-03-41120

Rocore : 11-7708



Komatsu
Cooler
PC 300, 400 Series
207-03-75120

Rocore : 11-7707

ROCORE[®]



WE ARE HEAVY DUTY

**QUICK TURNAROUND ON CUSTOM DESIGN
UNITS AND STANDARD PART NUMBERS TOO!**

ISO 9001:2008 Registered for Quality

5050 S. National Dr. Knoxville, TN 37914

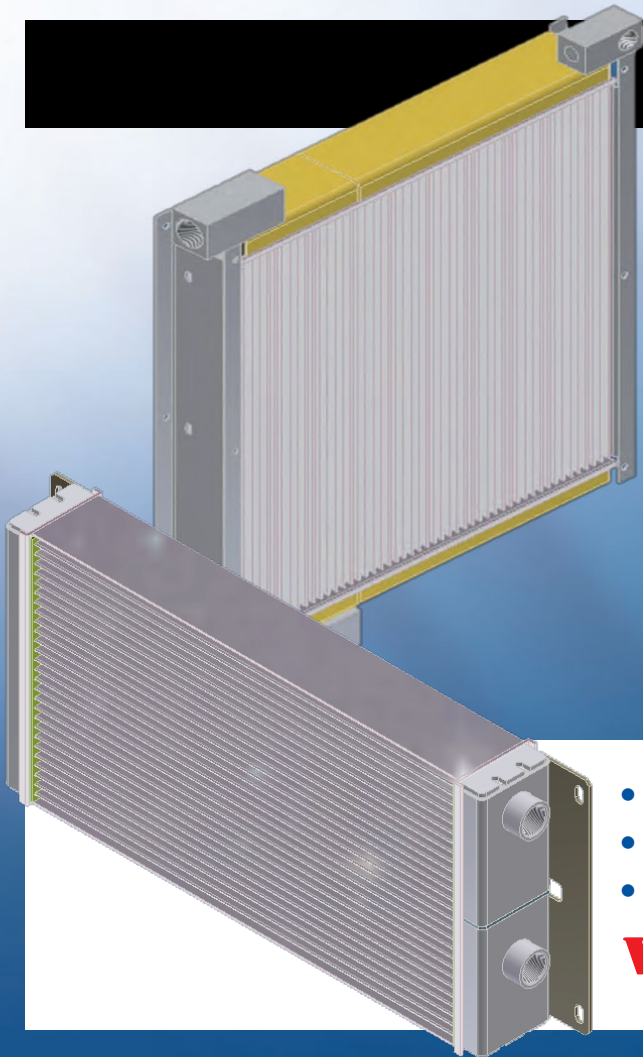
CALL TODAY! 800-645-2665 EXT 1336 / 1335

www.ROCORE.com

**NOW
AVAILABLE**

ROCORE[®]

AFTERMARKET HIGH PRESSURE ALUMINUM OIL COOLERS



4.25" 400 PSI

**INGERSOLL-RAND
SULLAIR
ATLAS COPCO
GARDNER-DENVER
QUINCY
AND MANY MORE!**

- **Quick Manufacturing Turnaround**
- **Custom Design Units**
- **Standard Part Numbers, too!**

WE ARE HEAVY DUTY

ISO 9001:2008 Registered for Quality

5050 S. National Dr. Knoxville, TN 37914

CALL TODAY! 800-645-2665 EXT 1336 / 1335

www.ROCORE.com

ROCORE[®]

AFTERMARKET

SHELL & TUBE OIL COOLERS



Highest Quality Products at Competitive Prices

CALL TODAY! 800-645-2665 EXT 1036

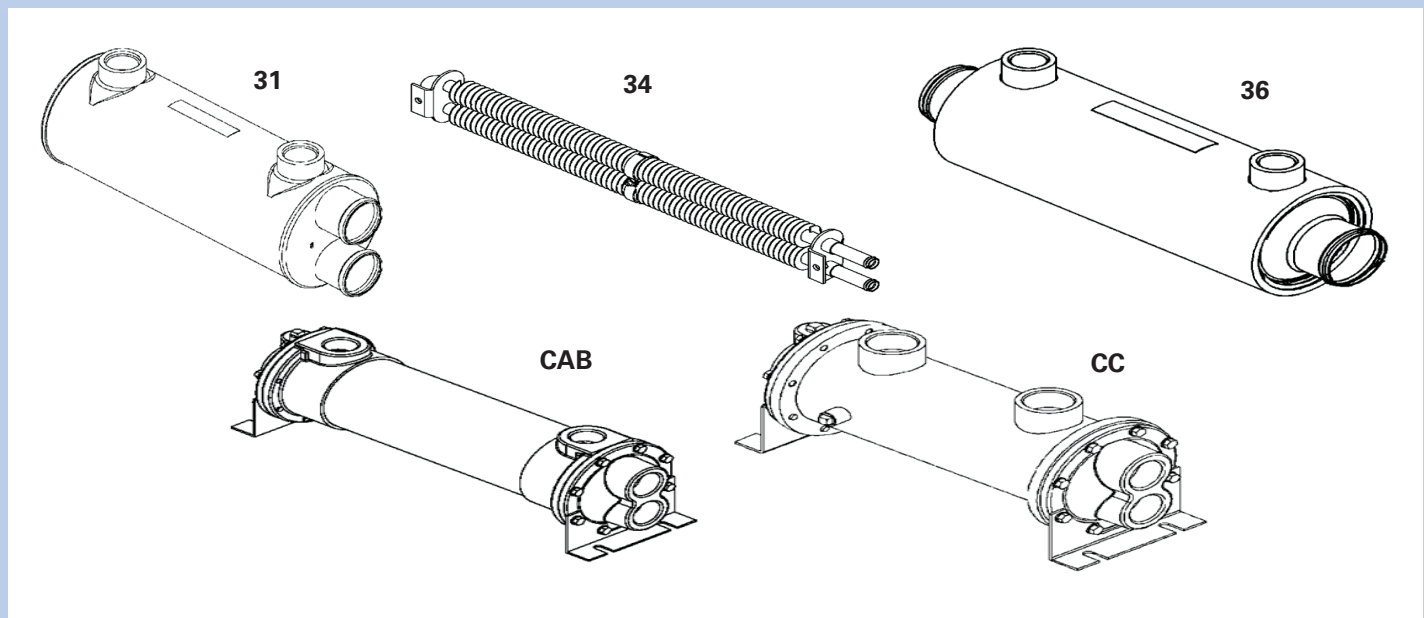
www.ROCORE.com



Rocore manufactures a variety of heat exchangers worldwide.

TYPES OF COOLERS

Product Code	Part # Prefix	Materials of Construction			Tube Type/Size/Mat'l	Shell Dia. (inches)	Number of Passes	Typical Cooler Applications
		Shell	End Cap	Baffle				
31	3-	steel	steel	brass/Al	Plain/.187 -.25/Cu	2-6	1 or 2	transmission, hydraulic
34	1-	NA	NA	NA	Cu/Al-wound fin	NA	1-4	power steering, fuel
36	5-	ext Ali	brass	brass	Plain/.25/Cu	4	1	transmission, hydraulic
37	5-	cast Ali	cast Ali	brass/Al	Plain/.187/Cu	6	1 or 2	transmission, hydraulic
39	CAB	brass	cast steel opt brass	brass	Plain/.25 -.375/Cu optional Cu/Ni	2-8	1,2, or 4	industrial, marine, CAC
39	CC	steel	cast steel opt brass	brass	Plain/.25 -.375/Cu optional Cu/Ni	2-10	1,2, or 4	industrial, marine, CAC

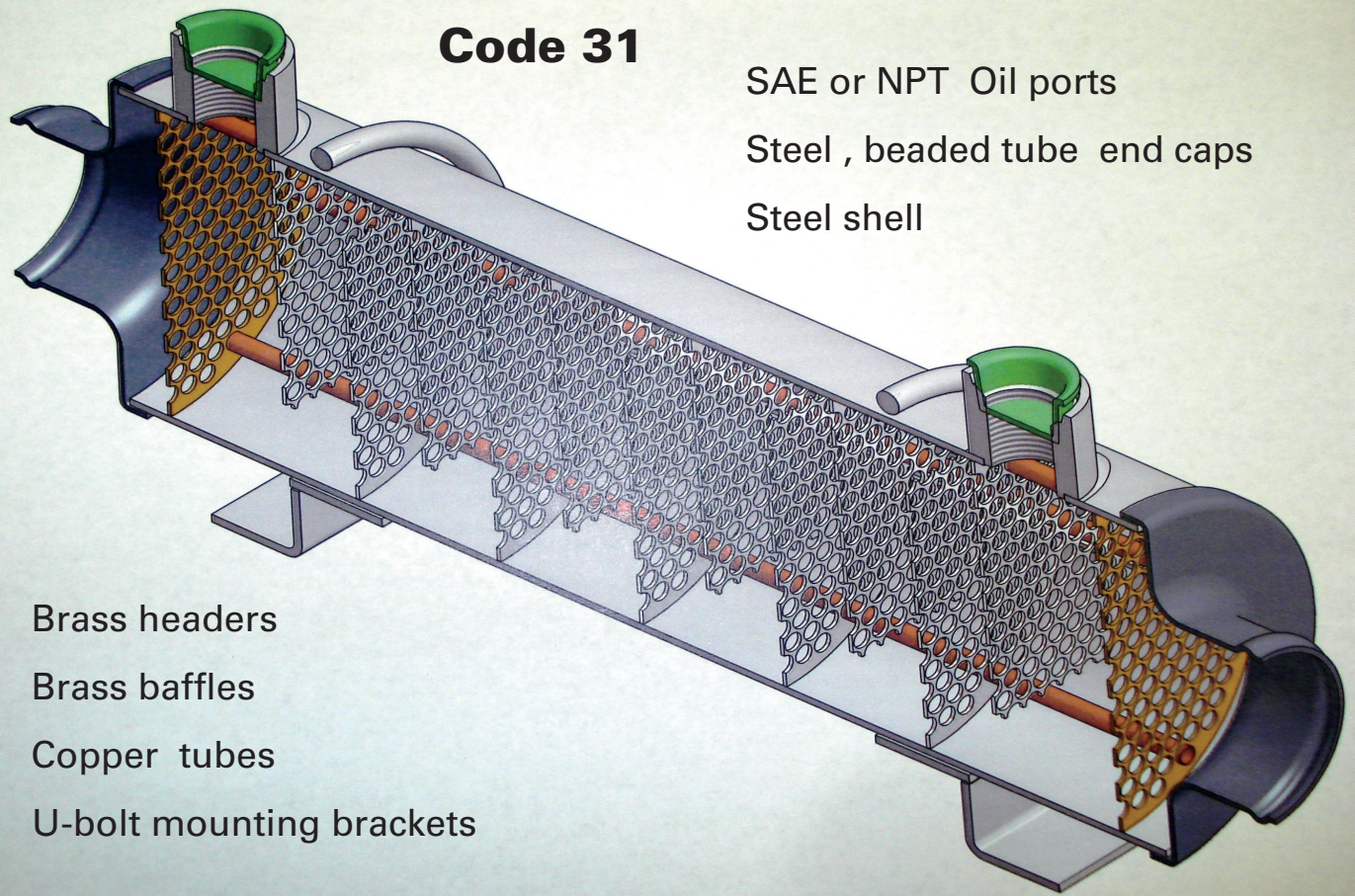


www.ROCORE.com

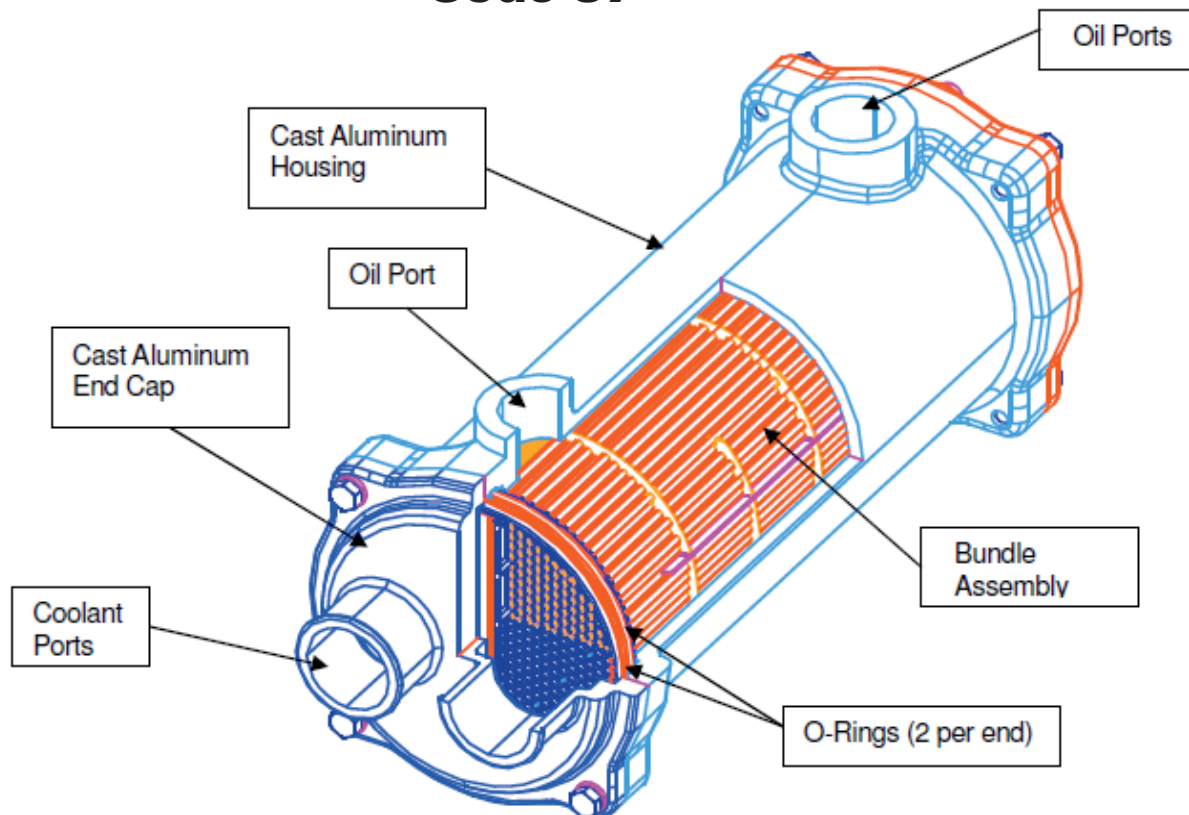
Code 31

SAE or NPT Oil ports
Steel , beaded tube end caps
Steel shell

Brass headers
Brass baffles
Copper tubes
U-bolt mounting brackets



Code 37





CODE 31 FIXED BUNDLE SHELL & TUBE OIL COOLERS

For Allison Transmissions

Allison WT Models	Typical Engine Rated HP	Rated Oil Flow GPM	Min Flow Coolant GPM	Cooler PN 3-1178A 1-pass Btu/min	Cooler PN 3-1249T 1-pass Btu/min	Cooler PN 3-1259B 1-pass Btu/min	Cooler PN 3-1270A 2-pass Btu/min	Cooler PN 3-1279B 5-baffles 1-pass Btu/min	Cooler PN 3-1279C 7-baffles 1-pass Btu/min	Cooler PN 3-1274B 1-pass Btu/min
3000	275	12	50	3,100	3,130	3,170	3,300	3,130	3,400	3,450
B300	275	12	50	3,100	3,130	3,170	3,300	3,130	3,400	3,450
B400	295	12	50	3,100	3,130	3,170	3,300	3,130	3,400	3,450
4000	450	17	60		4,040			4,080	4,400	4,550
B500	450	17	60		4,040			4,080	4,400	4,550

Allison Pre-WT Models	Typical Engine Rated HP	Rated Oil Flow GPM	Min Flow Coolant GPM	Cooler PN 3-1178A 1-pass Btu/min	Cooler PN 3-1105A 1-pass Btu/min	Cooler PN 3-1255A 2-pass Btu/min	Cooler PN 3-1234A 1-pass Btu/min	Cooler PN 3-1127A 1-pass Btu/min	Cooler PN 3-1192A 2-pass Btu/min	Cooler PN 3-1179B 1-pass Btu/min
AT500	175	4.5	50	1,230	1,450	1,310				
MT600 TC 300	250	8	75	2,020	2,280	2,120		2,050	2,200	2,600
MT600 TC400	300	12	90	2,820	3,100	2,940		3,000	3,000	3,700
HT700	425	15	125					3,550	3,450	4,500
HT700 3-gear pump	425	22	125				4,500	5,000	4,650	
CLT700	300-500	15	125					2,750	2,600	3,350
CLT5-6000	400-700	35	125					5,350	5,025	6,250

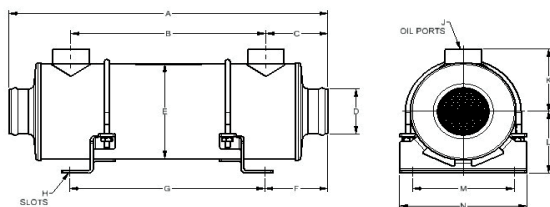
POPULAR CODE 31 FIXED BUNDLE OIL COOLER

Part Numbers and Dimensions

Oil Cooler Model No.	All Over Length	Port to Port		Dia. Water Port	Dia. Shell		Bracket Spacing	Bracket Slot Size	Oil Port Connection Type	C.L. to Port	C.L. to Bracket	Slot to Slot	Bracket Width
3-1105A	15.33	8.12	3.60	3.00	5.30	3.54	8.25	.38 x .50	1-11.5 NPTF	3.30	3.75	5.50	6.75
3-1127A	15.50	8.12	3.69	3.00	6.32	2.94	9.62	.44 x .75	1.25-11.5 NPTF	4.75	4.12	6.25	7.82
3-1178A	15.63	9.60	3.01	2.25	4.50	4.31	7.00	.38 x .62	.75-14 NPT	2.88	2.88	8.62	9.62
3-1179B	25.62	16.95	4.34	3.00	6.32	3.94	17.75	.44 x .75	2-11.5 NPTF	4.75	4.12	6.25	7.82
3-1192A	14.44	8.12	4.12	2.25	6.32	3.25	9.62	.44 x .75	1.25-11.5 NPTF	4.75	4.12	6.25	7.82
3-1234A	15.33	8.12	3.60	3.00	5.30	3.54	8.25	.38 x .50	1-11.5 NPTF	3.30	3.75	5.50	6.75
3-1249T	19.38	12.00	3.69	3.00	5.00	3.94	11.50	.38 x .50	1.312-12 UN-2B O-Ring Boss	3.75	3.75	5.50	6.50
3-1255A	14.95	8.12	2.02	2.25	5.30	2.5 1 at 8°	8.25	.38 x .50	.75-14 NPT	3.25	3.75	5.50	6.75
3-1259B	19.75	12.00	3.88	3.00	6.32	3.88	12.00	.44 x .75	1.625-12 UN-2B O-RING Boss	4.16	4.12	6.25	7.82
3-1270A	18.54	12.00	4.25	2.75	6.32	3.38	12.00	.44 x .75	1.625-12 UN-2B O-RING Boss	4.16	4.12	6.25	7.82
3-1274B	24.55	16.95	4.77	2.75	6.32	3.38	17.75	.44 x .75	1.625-12 UN-2B O-RING Boss	4.16	4.12	6.25	7.82
3-1279B	25.62	16.95	4.34	3.00	6.32	3.94	17.75	.44 x .75	1.625-12 UN-2B O-RING Boss	4.16	4.12	6.25	7.82
3-1279C	25.62	16.95	4.34	3.00	6.32	3.94	17.75	.44 x .75	1.625-12 UN-2B O-RING Boss	4.16	4.12	6.25	7.82
3-1281A	15.63	9.60	3.02	2.50	4.50	4.57	6.50	.38 x .62	1.312-12 UN-2B O-Ring Boss	3.50	2.76	8.62	9.62

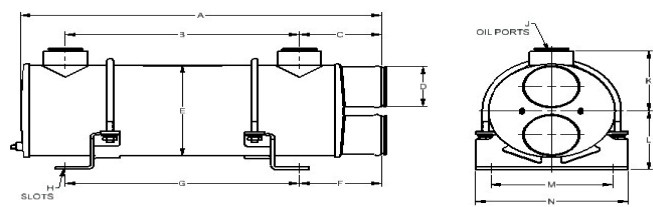
ONE PASS COOLANT

3-1105A 3-1178A 3-1234A 3-1259B 3-1279C
3-1127A 3-1179B 3-1249T 3-1279B 3-1281A



ONE PASS COOLANT

3-1192A 3-1270A
3-1255A 3-1274B





CODE 37 FLOATING BUNDLE SHELL & TUBE OIL COOLERS

For Allison Transmissions with Retarders

Allison WT Models	Typical Engine Rated HP	Rated Oil Flow GPM	Min Flow Coolant GPM	Cooler PN 5-7009B 1-pass Btu/min	Cooler PN 5-7026B 2-pass Btu/min	Cooler PN 5-7027B 1-pass Btu/min	Cooler PN 5-7041B 2-pass Btu/min
3000 3000R	275 275	12 60	50 50	3,170 12,000	3,300 13,000		
B300 B300R	275 275	12 60	50 50	3,170 12,000	3,300 13,000		
B400 B400R	295 295	12 60	50 50	3,170 12,000	3,300 13,000	3,130 13,270	3,450 13,350
4000 4000R	450 450	17 60	60 60			4,080 13,800	4,550 13,800
B500 B500R	450 450	17 60	60 60			4,080 13,800	4,550 13,800

Allison WT Models	Typical Engine Rated HP	Rated Oil Flow GPM	Min Flow Coolant GPM	Cooler PN 5-7008B 1-pass Btu/min	Cooler PN 5-7014B 2-pass Btu/min	Cooler PN 5-7010B 1-pass Btu/min	Cooler PN 5-7041B 2-pass Btu/min
AT500	175	4.5	50				
MTB600 TC 300	250	8 60	75	2,050 10,800	2,200 11,300	2,600 14,200	
MTB600 TC400	300	12 60	90	3,000 11,400	3,000 11,700	3,700 14,600	
HTB700	425	15 60	125	3,550 12,200	3,450 13,270	4,500 15,800	4,500 15,800
HT700 3-gear pump	425	22	125	5,000	4,650	6,100	6,100
CLT700	300-500	15	125	2,750	2,600	3,350	4,500
CLBT700	300-500	22 70	125			4,500 17,500	6,100 17,500
CLT 5-6000	400-700	35	125			6,250	6,250
CLTB 5-6000	400-700	35 110	125			6,250 23,200	6,250 23,200

POPULAR CODE 37 FLOATING BUNDLE OIL COOLER

Part Numbers and Dimensions

Part No.	Over All Length	Water Pass	Water Ports Orientation to Oil Ports	Water Port Size (In.)	Oil Port Size	Similar to Part No.	Est Dry Wt. (lb.)	Est Full Wt. (lb.)	Est Oil Cap (Gal)	Est Water Cap (Gal)
5-7001B	18.1	1	0	2.75	#20	3-1184B	30.1	38.4	0.7	0.5
5-7004D	26.8	2	0	2.50	#20	NEW	37.6	49.5	1.0	0.7
5-7005B	19.6	2	90	2.25	#20	NEW	40.4	52.2	1.0	0.7
5-7006B	25.0	2	90	2.75	#20	3-1273B	49.1	65.3	1.3	0.9
5-7007B	19.2	2	90	2.75	#20	3-1284A	39.4	51.3	1.0	0.7
5-7008B	15.6	1	0	3.00	1.25 NPT	3-1127A	32.8	41.2	0.7	0.5
5-7009B	20.3	1	0	3.00	#20	3-1259B	40.4	52.2	1.0	0.7
5-7010B	26.1	1	0	3.00	2-11.5	3-1179B	49.1	65.3	1.3	0.9
5-7011B	20.3	1	0	3.00	#16	NEW	40.4	52.2	1.0	0.7
5-7012B	14.5	2	0	2.50	#20	NEW	34.4	42.7	0.7	0.5
5-7013B	19.6	2	90	2.25	#20	NEW	39.9	51.7	1.0	0.7
5-7014B	14.9	2	0	2.25	#20	3-1192A	32.5	40.8	0.7	0.5
5-7015B	19.1	2	90	2.50	#20	NEW	39.9	51.7	1.0	0.7
5-7024B	26.1	1	0	3.00	#20	3-1314B	49.1	65.4	1.3	0.9
5-7025B	25.0	2	90	2.50	#20	NEW	49.1	65.4	1.3	0.9
5-7026B	19.0	2	0	2.75	#20	3-1270A	37.6	49.5	1.0	0.7
5-7027B	26.1	1	0	3.00	#20	3-1279B	49.1	65.4	1.3	0.9
5-7041B	25.0	2	0	2.75	#20	3-1274A	49.1	65.3	1.3	0.9
SUMP (DUAL) OIL COOLERS										
5-7102B	32.1	1	0	3.00	#20	3-1279B	60.2	69.9	1.5	1.3
5-7103B	31.2	2	0	2.75	#20	3-1274A	60.2	69.9	1.5	1.3
5-7104B	25.5	2	0	2.75	#20	3-1270A	48.7	54.1	1.2	1.1
5-7106B	31.3	2	90	2.75	#20	3-1273B	60.2	69.9	1.5	1.3
5-7107B	25.5	2	90	2.75	#20	3-1284A	50.5	55.9	1.2	1.1
5-7114B	20.7	2	0	2.25	#20	3-1192A	43.6	45.4	0.9	0.9
5-7115B	25.5	2	90	2.50	#20	NEW	51.0	56.3	1.2	1.1
5-7120B	25.4	2	0	2.75	#20	NEW	48.7	54.1	1.2	1.1
5-7121B	25.8	2	90	2.75	#20	NEW	51.0	56.3	1.2	1.1

ROCORE[®]

Quality Heat Transfer Products

2401 Directors Row, Suite R, Indianapolis, IN 46241

Ph: 317-227-2929 • Fax: 317-227-2939



**Complete Cooling Packages
Industrial Cooling Components
Aftermarket Cores & Charge
Air Coolers**

Radiators

Charge Air Coolers

**Industrial Shell & Tube
Heat Exchangers**

Oil Coolers

- *Fuel*
- *Engine*
- *Auxiliary*
- *Hydraulic*
- *Transmission*
- *Power Steering*

Made in America

www.ROCORE.com



CHARGE AIR COOLERS



OEM QUALITY!

**CONTACT OUR SALES DEPARTMENT
FOR ASSISTANCE AND ADDITIONAL
APPLICATION INFORMATION!**

866-955-2673

ROCORE

4020 LaReunion Pkwy., Suite 110
Dallas, TX 75212



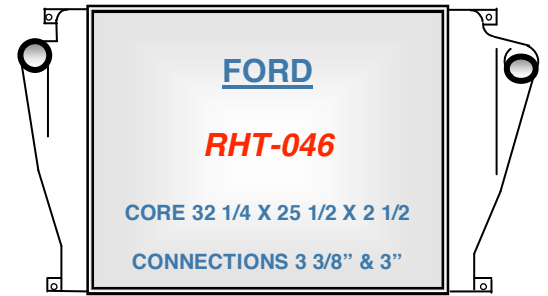
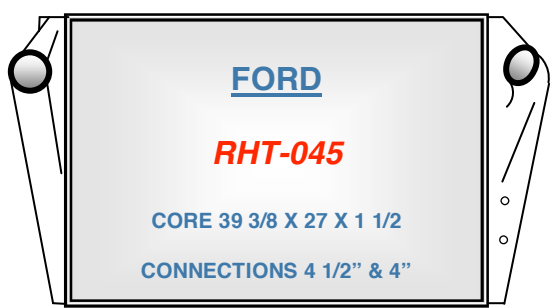
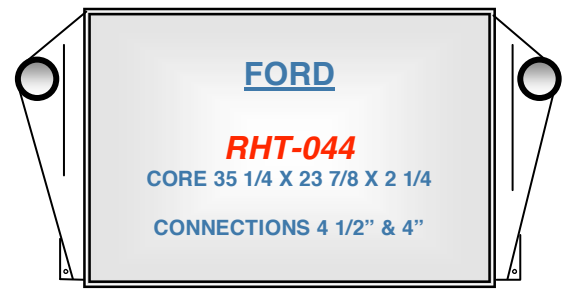
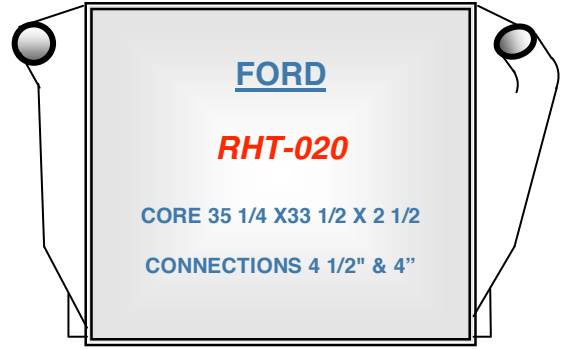
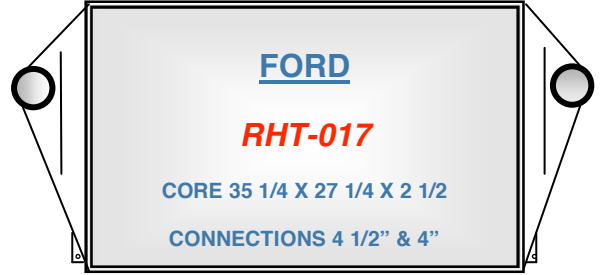
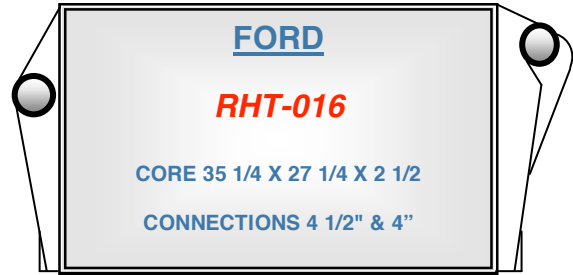
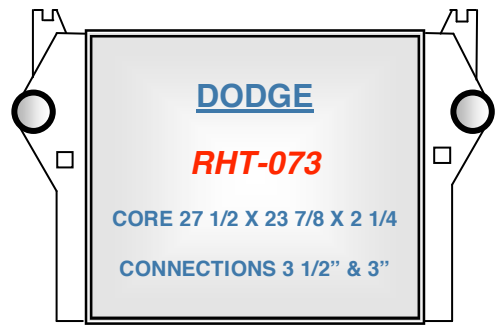
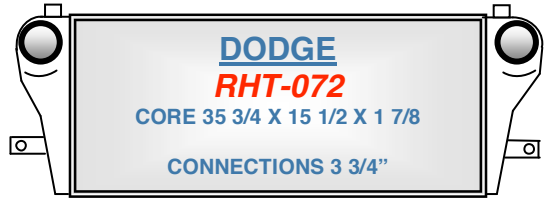
800-733-2673 Ext. 1208

aftermarket@rocore.com

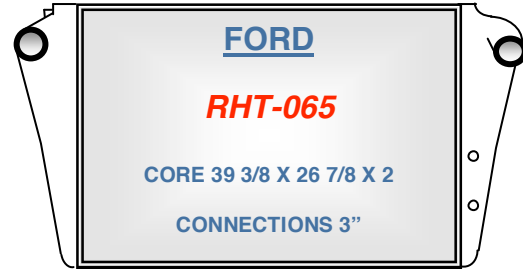
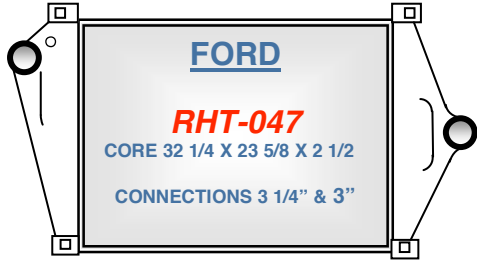
ROCORE

9845 South 57TH Street
Franklin, WI 53132

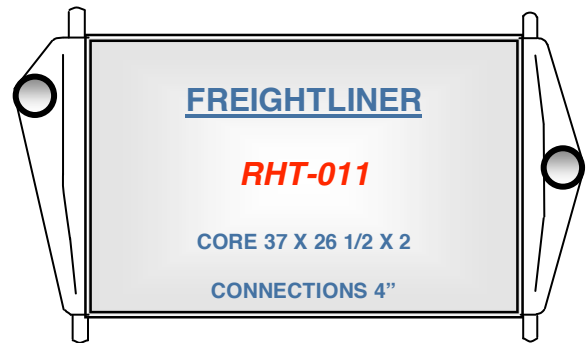
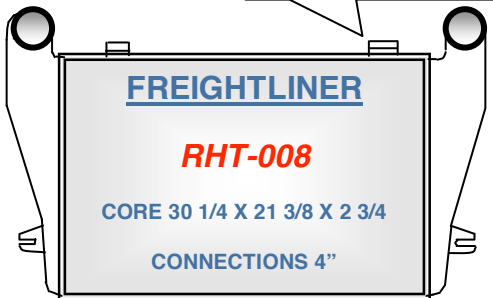
CHARGE AIR COOLERS



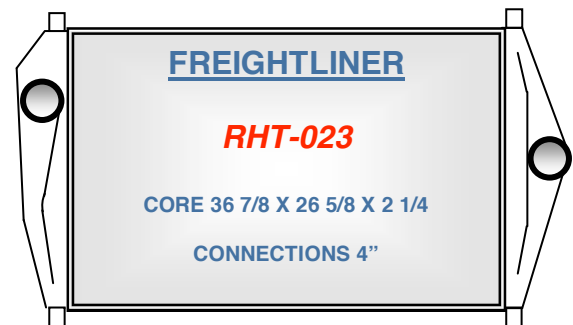
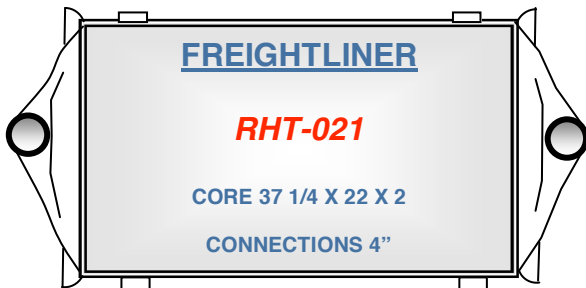
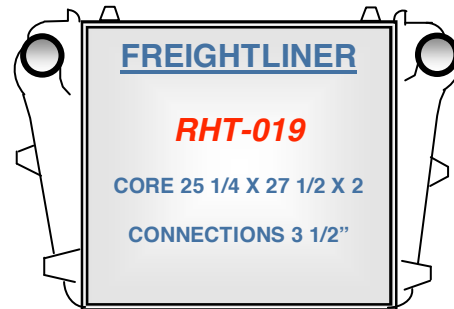
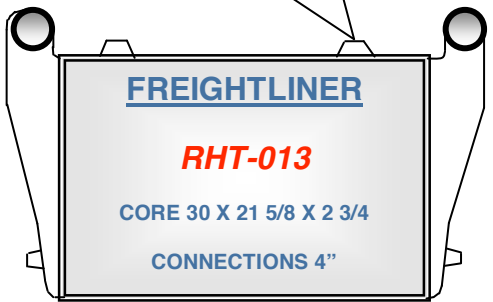
CHARGE AIR COOLERS



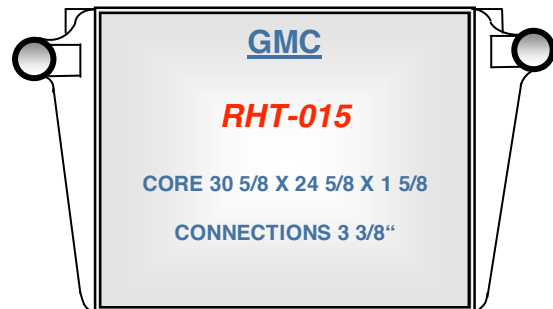
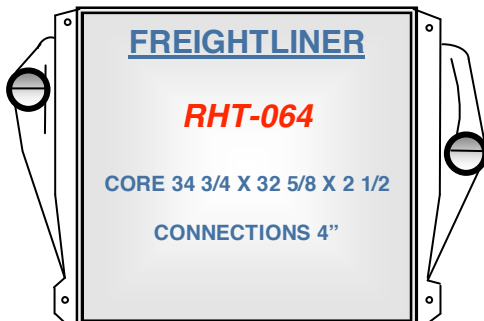
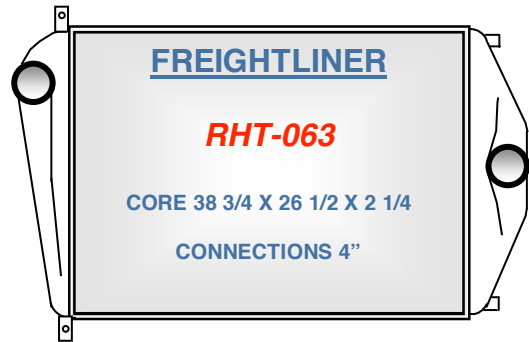
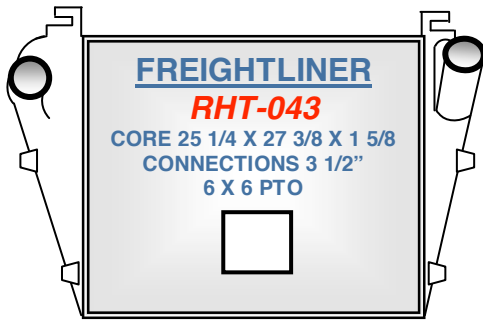
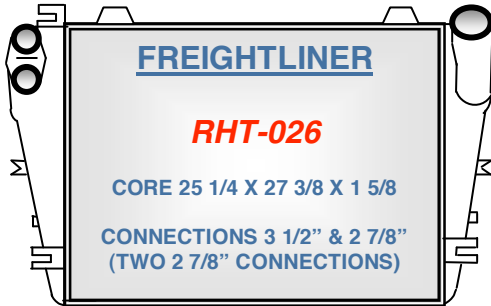
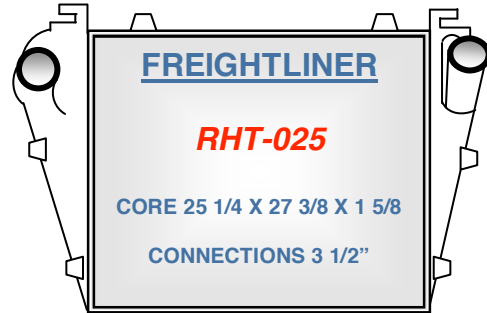
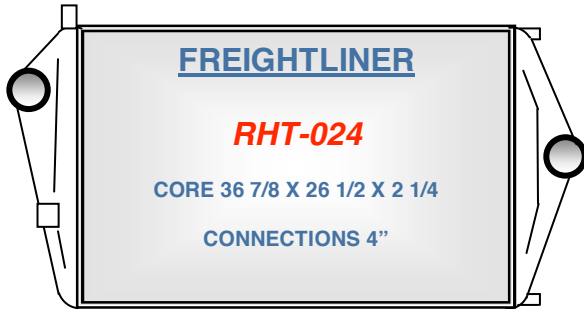
STEPPED BRACKETS



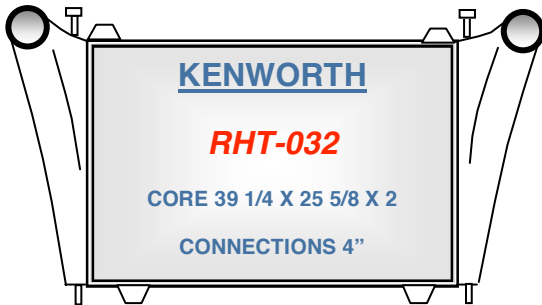
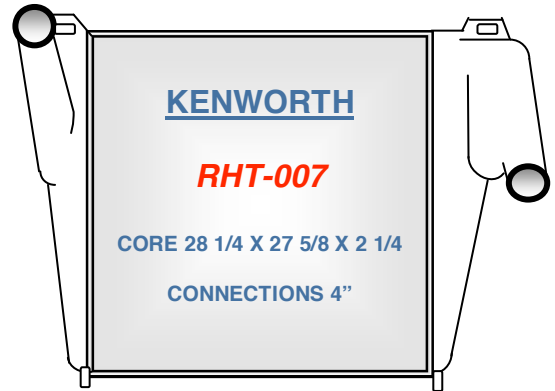
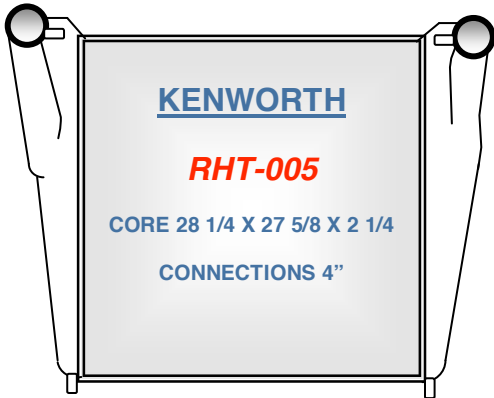
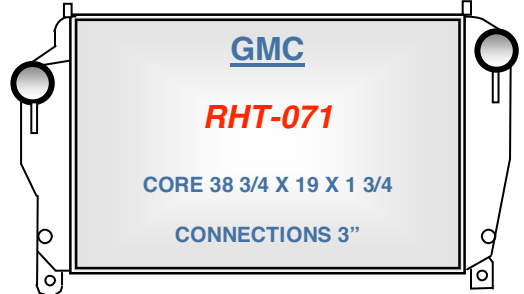
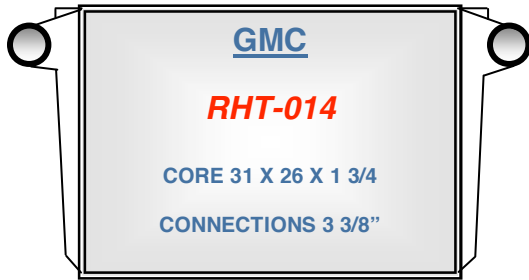
ROLLED BRACKETS



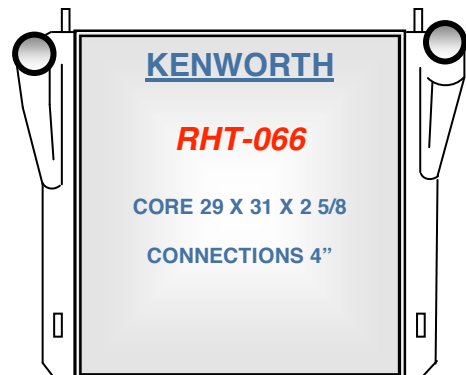
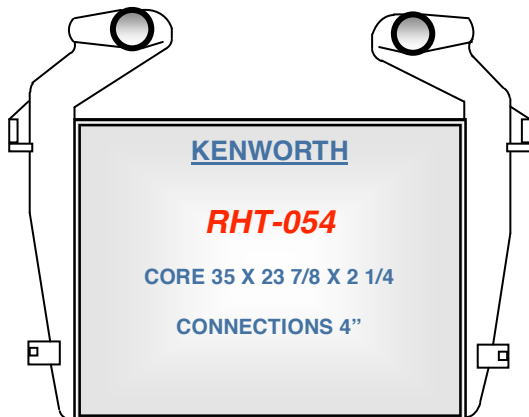
CHARGE AIR COOLERS



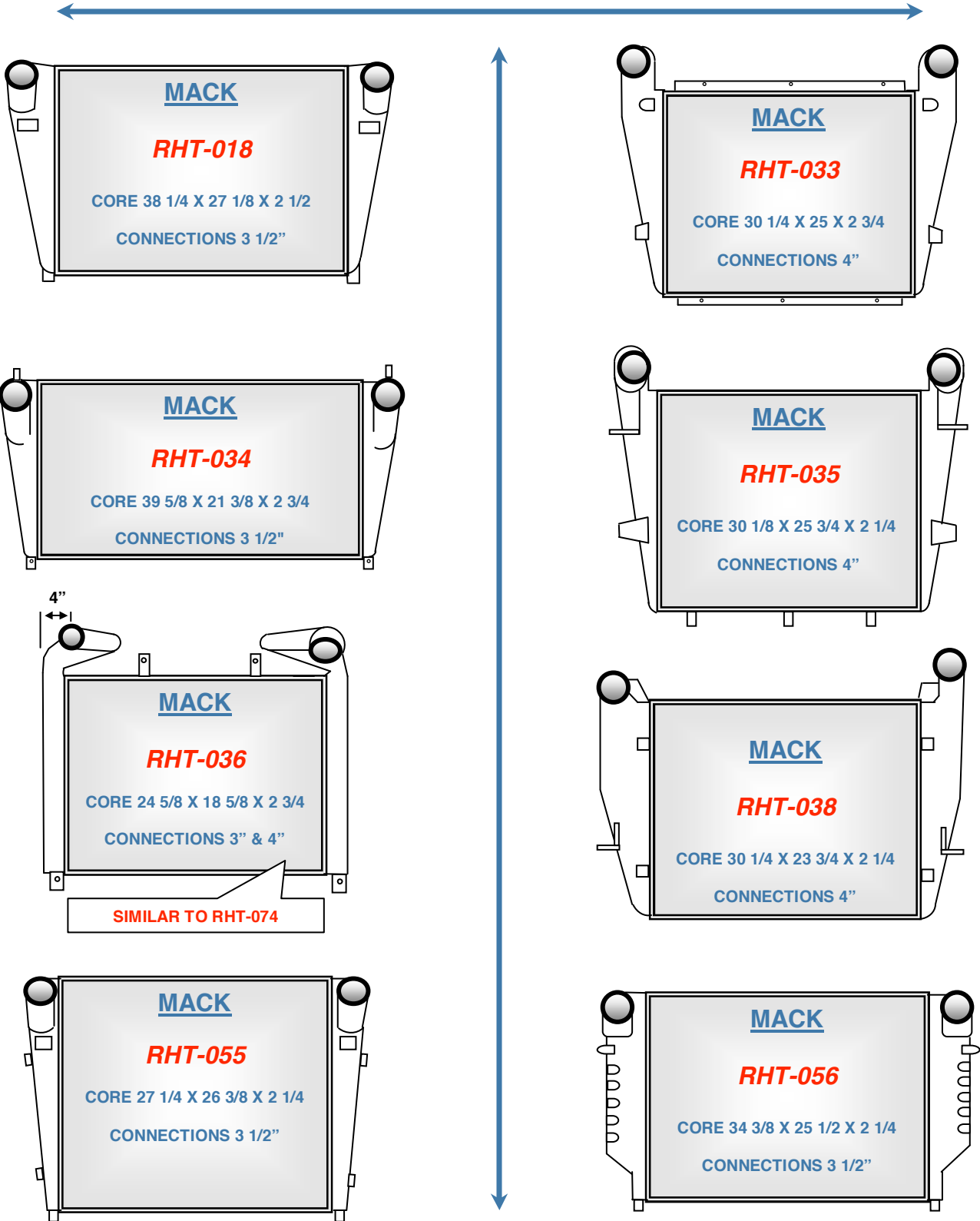
CHARGE AIR COOLERS



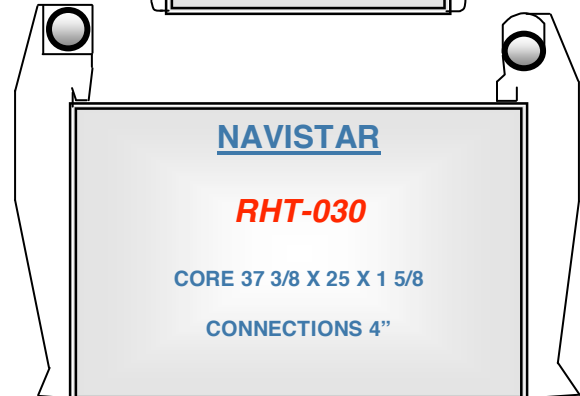
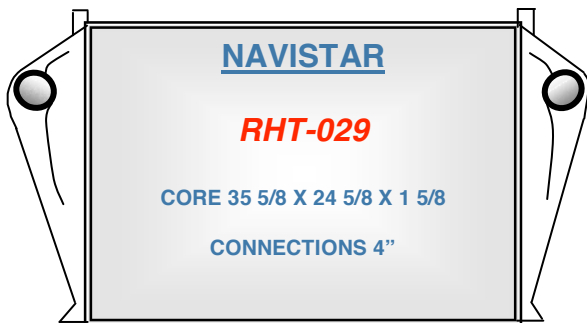
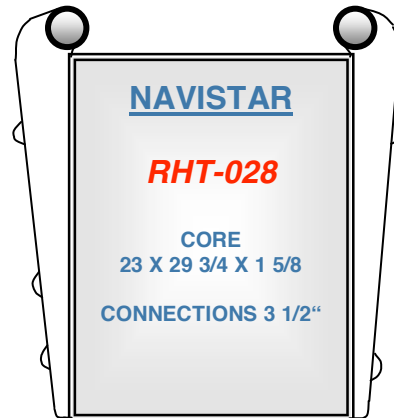
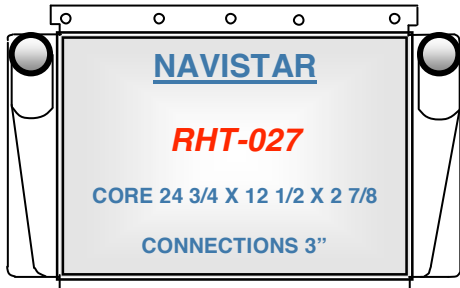
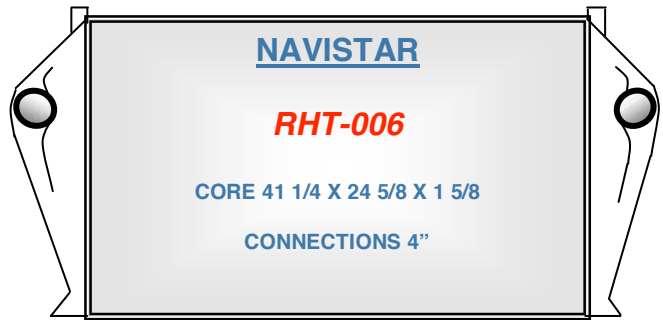
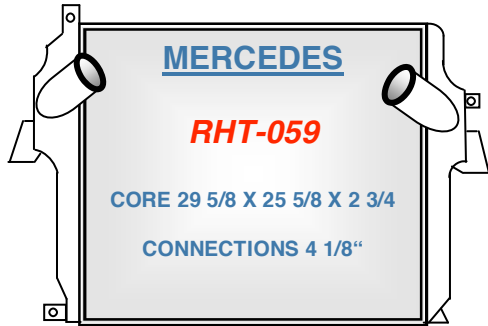
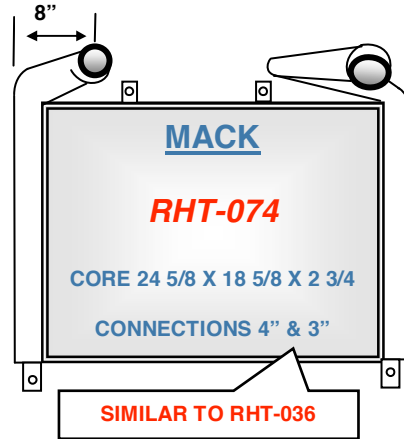
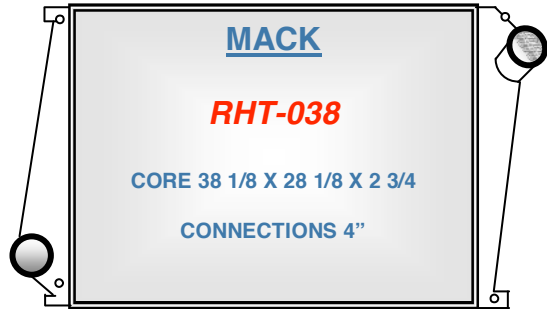
RHT-053 HAS 4 HOLES PER BRACKET
RHT-067 HAS 2 HOLES PER BRACKET



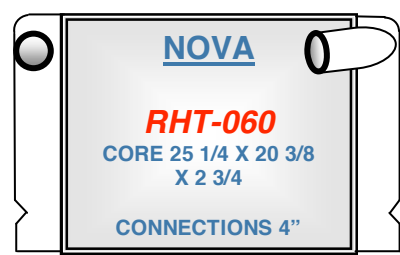
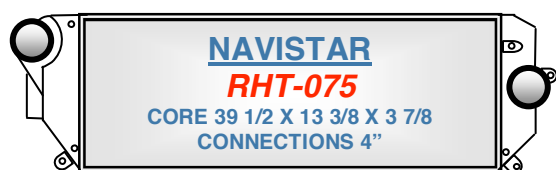
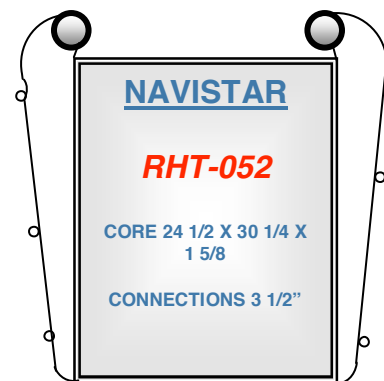
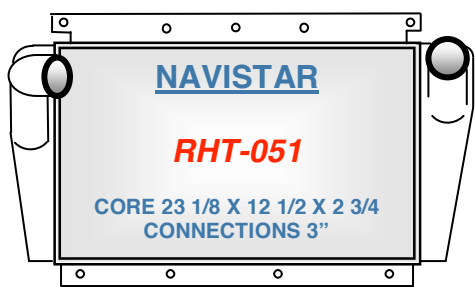
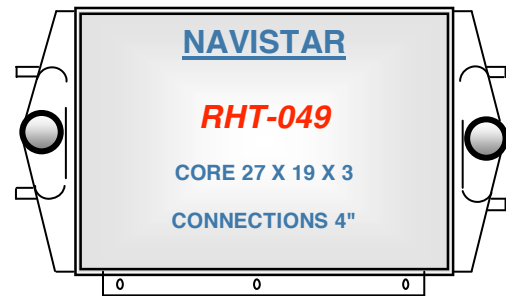
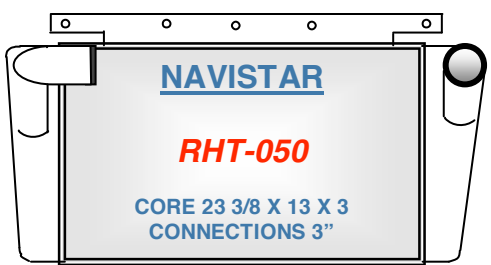
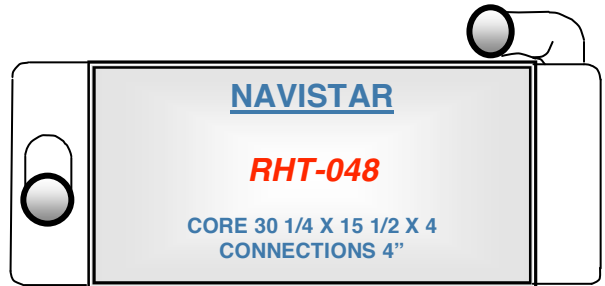
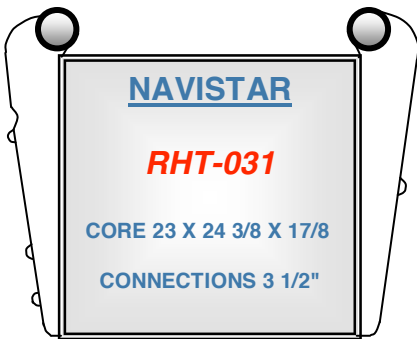
CHARGE AIR COOLERS



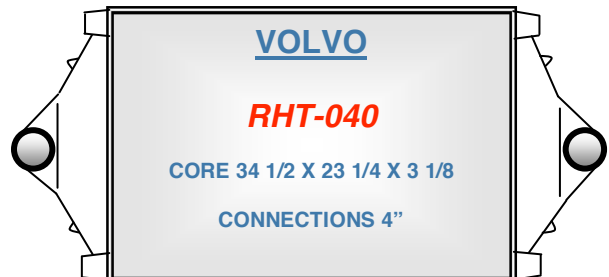
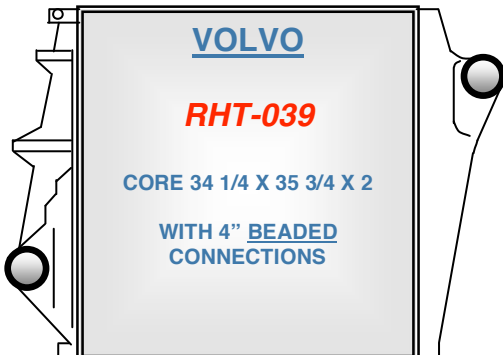
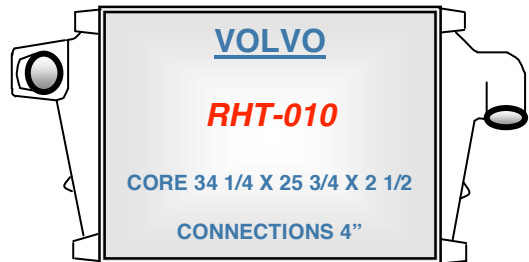
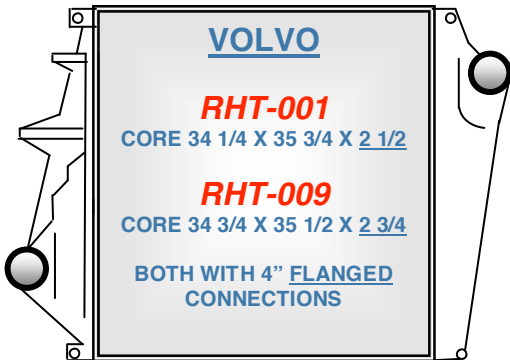
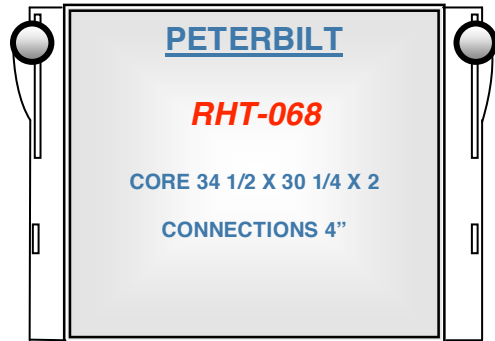
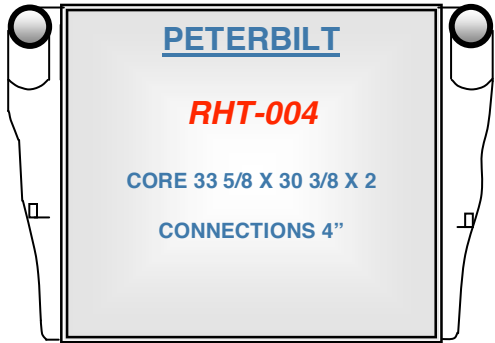
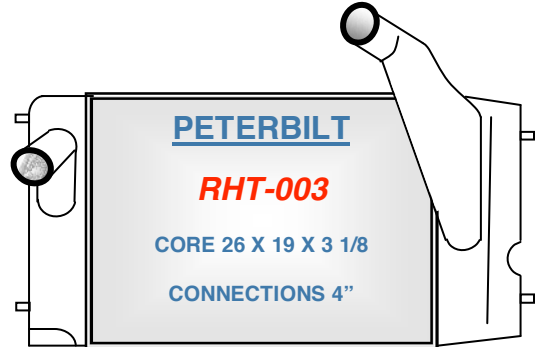
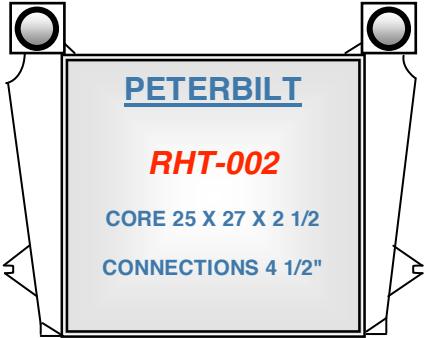
CHARGE AIR COOLERS



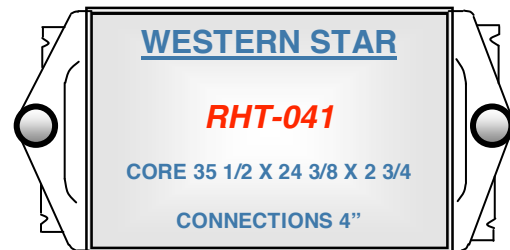
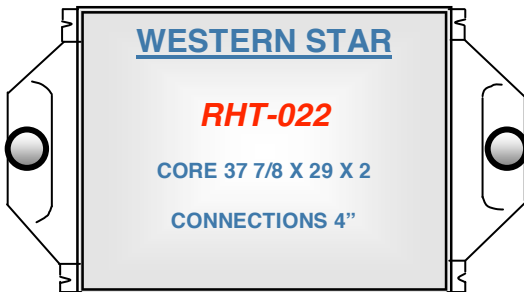
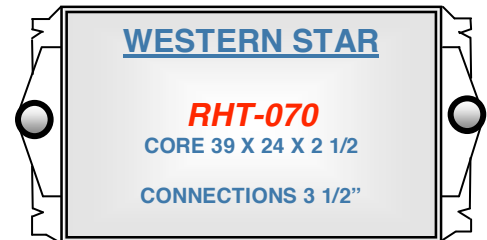
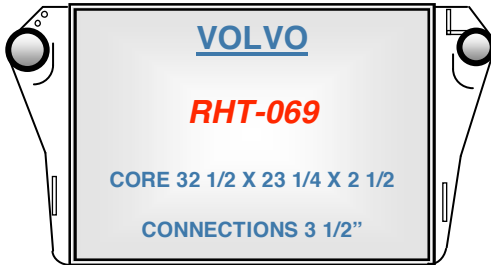
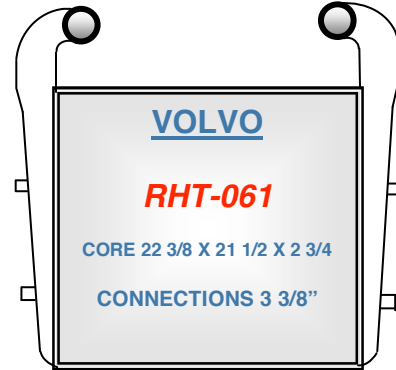
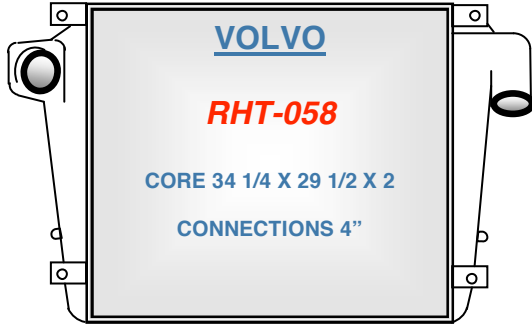
CHARGE AIR COOLERS



CHARGE AIR COOLERS



CHARGE AIR COOLERS



CHARGE AIR COOLERS

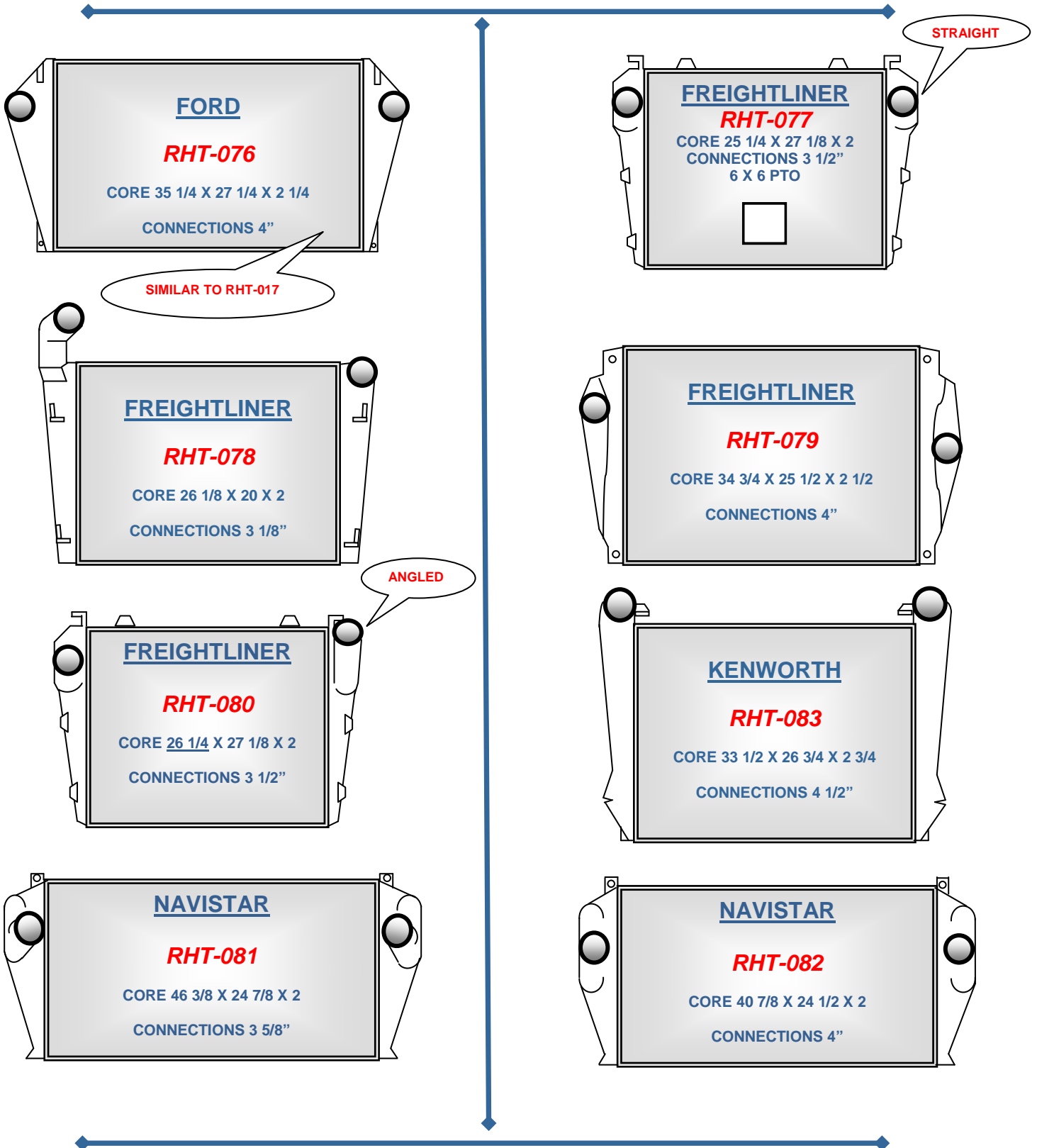
APPLICATION	RHT	OEM
CHEVROLET/GMC	014	1030042
	015	1030109
	071	10520380
DODGE	072	1030182
	073	55056593AA
FORD	016	FOR19011, BTC1128B, PLI441181
	017	1030098, FOR19013
	020	1030097
	044	1030133
	045	F1HZ6K775B
	046	103306
	047	F6HT8009AK
	065	F3HZ6K7753
FREIGHTLINER	008	01-21388-000
	011	BHT1SA00210, BTC1107E
	013	01-23132-000, FRT15801
	019	6805010301, FRT18113
	021	485-800-0001
	023	BHT2AA00111, BTC1107EH
	024	BHTD3523, PLI441237
	025	01-233330-002, FRT18114
	026	1SA00156R
	037	BTC1109C FRT18124
	038	FRT17305, BTC1109, PLI441150
	042	BHTD3043
	043	1SA00305R
	063	BHTD3526
	INTERNATIONAL / NAVISTAR	006
027		1696920C1, NAV16408, PLI441196
028		1646077C1, NAV16404
029		1696958C1
030		2017963C1
031		1659006C1, NAV16406
048		2504855C1, NAV16417, BTC1137
049		1651980C1
050		IE4040
051		1E3835
052		1030068
053		BTC1134A 1E5613

CHARGE AIR COOLERS

APPLICATION	RHT	OEM
KENWORTH	005	KO-93-64, KEN16506, PLI441105
	007	KO-93-63B, KEN16502
	032	487-080-0001, KEN16510, PLI441156
	053	486-270-0004
	054	KO93-69, KEN16509
	066	N8798001
MACK	018	3MD532M, MAC17315
	033	3MD13A, BTC1118
	034	3MD516M, MAC17310
	035	3MD519, MAC17311
	036	3MD539
	038	3MD538
	055	3MD541AM
	056	3MD545M
	062	3MD543AM
	074	3MD539
MERCEDES-BENZ	059	942-501-0301
NOVA BUS	060	1E4031
PETERBILT	002	05-17631, PET17701
	003	IE4580, BTC1087
	004	05-18731, PET17703, PLI44114
	067	05-18997
	068	N8787001
	VOLVO	001
009		1030154, VOL18813, PLI441169
010		1030054
039		20370257, VOL18812, PLI441170
040		817144, VOL18802
057		1-665-242
058		1030125
061		1030069
069		20956580
099		BTC1123G, VOL18807
WESTERN STAR	022	IE5491
	041	22273411, WES18203
	070	IE5490

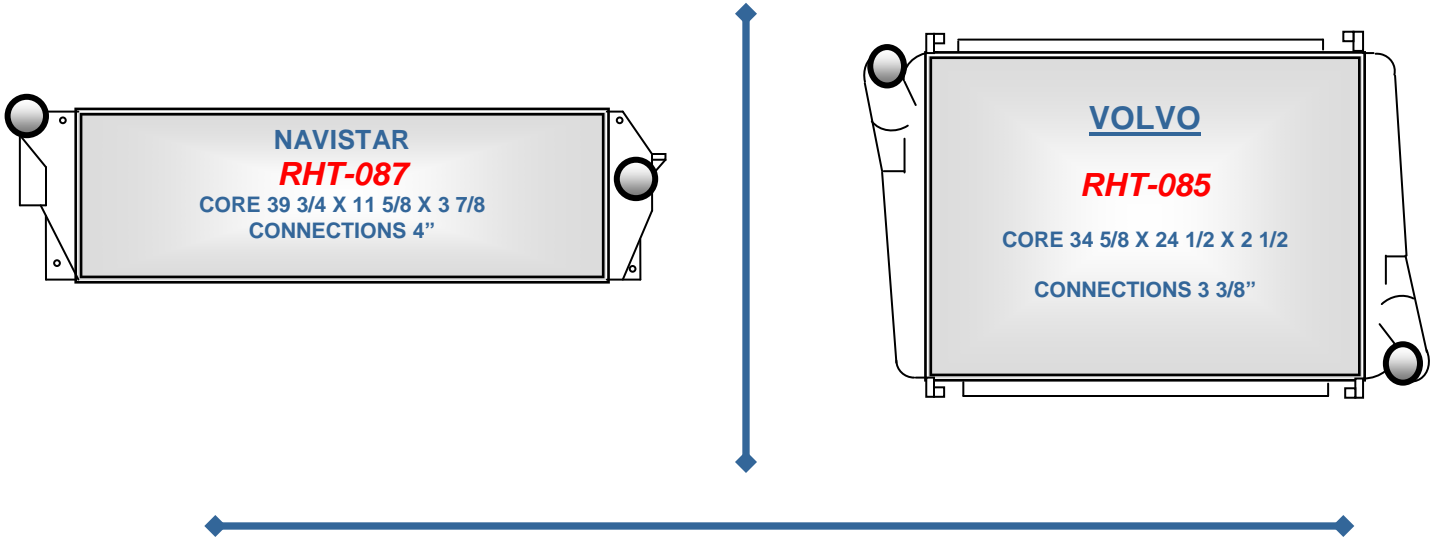
NEW PART NUMBERS!

CHARGE AIR COOLERS



NEW PART NUMBERS!

CHARGE AIR COOLERS



NEW PART NUMBERS!

OEM CROSS REFERENCE

APPLICATION	RHT	OEM
FORD	076	1030090
FREIGHTLINER	077	A0516061001
	078	1E99906
	079	01-31242-000
	080	BHTD6168
INTERNATIONAL/ NAVISTAR	081	1698922C1
	082	1E5613
	087	2591600C91
KENWORTH	083	1E5115
VOLVO	084	2095685
	085	1676590
	086	1030063